



2023

THE SAFETY EXPERT



← IKAR



+49 (0) 661 - 22050



kontakt@ikar-gmbh.de



Table of Contents

Harnesses

Full body and Rescue Harnesses | Sit Harnesses | Warning Jackets
Work Position Belts | Accessories



Lanyards

Lanyards with webbing | kernmantle rope or steel cable | Energy Absorbing Lanyards



Retractable Type Fall Arrester

Flexible Series | Robusto Series



Retractable Type Fall Arrester Type HRA

HRA with Hoisting Facility



Tripods + Accessories

DB-A2 | DB-A2 XL | DB-A3R | DB-A3 | DB-A3 XL | Accessories



Cantilever Arms + Accessories

ASS-1 | ASS-2 | ASS 3 | ASS 4 | AASS-M | Mountings | Sleeves



Lifting Equipment

PLW | HPL | HL | Accessories Lifting Equipment



Descent Devices

Favorit ABS 3a W / WH | Bison ABS 4 W / WH | Speed Lift | Powerlift | HAS | Accessories



Anchorage Devices / Anchorage Systems

Anchorage Slings | Anchorpoints | Temporary Horizontal Lifeline | Accessories



Accessories

Connecting Elements | Bags and Cases for Devices



IKAR Kits

Arrest | Rescue | Positioning



Load Arrester

HWB L | HWPS L | HPS L | HL





Quality and Safety made in Fulda

IKAR GmbH has many years of experience and a successful tradition in which innovation and creativity have been at the forefront from the very beginning.

IKAR GmbH was founded by Mr. Otto Herchet in 1978. Since this time, IKAR GmbH has developed an extensive range of fall protection products. Starting in the beginning with a production plant of the size of a domestic garage, IKAR GmbH has grown ever since to become a major international manufacturer of fall protection. Our wide range of products, including harnesses, anchorage devices, height safety devices and descent devices offer our customers the best possible solution with constantly controlled quality. Our Qualitymanagementsystem is certified according to EN ISO 9001:2015-11 (D).

Today the IKAR GmbH production plant covers over 3,500 sq.m., where all IKAR fall protection products are produced and shipped to over 50 countries around the world. IKAR currently produces and ships approximately 12,000 SRLs a month.

IKAR stands for Made in Germany

Besides the development, construction and assembly of the fall protection products, IKAR supplies itself with most of the component parts for its engineered products. The IKAR production plant includes a department for metal processing and a department for plastic injection-mold at the location in Fulda as well as a department for all soft goods manufacturing. Aluminium castings are manufactured in our subsidiary IKAR LMG Gusstechnik in Aue, Germany.

For a safe Future

At the beginning of 2020, the new IKAR training center in Fulda was completed. On the floor area of 100 m² we recreated different user situations. The training tower has a height of 18 m over 4 floors and thus offers optimal possibilities to carry out practical user training. IKAR's quality production requirements ensure that each and every engineered produced is 100% tested for safety, function and performance before shipping.

Note:

All prices indicated in the price list are net of the applicable VAT and transport-/packaging charges. The prices indicated in the most recent edition of the price list apply. Furthermore, our general terms and conditions apply. We reserve the exclusive right of technical changes.

You can find further information on the company and its products on our website www.ikar-gmbh.de.





Comfort and Safety.

IKAR Harnesses are known for universal and ergonomical construction which results in a functionality and high quality standard.



Harnesses

Safety and comfort are not mutually exclusive

A user should select an appropriate harness that is suitable and appropriate for the intended use.





Safe Arrest and Fast Rescue

The rescue overhead attachment has been tested and approved for fall arrest (A) and the subsequent rescue.

Good distribution of Loads

The back and leg pads made of air-permeable material.



Quick and Easy Size Adjustment

The size adjustment is set by pulling the strap end.

Distribution of loads with a minimum of perspiration

The padded back support has special ventilation channels and distributes the loads that occur during the individual functions over a large area over the relevant body region.



Rescue Harness IK RG 16

according to EN 1497:2007



Rescue Harness for fast evacuation of persons in case of emergencies in conjunction with EN 341 descent rescue devices

- D ring in the chest area
- Simple fitting due to flexible shoulder straps
- Side quick connect buckles for individual length adjustment of the rescue loop
- *NO fall protection function*

Application:

Rescue, evacuation

Areas of use:

Industrial, cable cars, high-rise buildings

Order No.	Nominal Load	Weight
45-IK RG 16	100 kg	0,52 kg



Full Body Harness IK G 1

according to EN 361:2002



Simple Fall Protection and Rescue Harness for securing a person against falling

- D ring at the back (shoulder area)
- Size adjustment
- Fitting and removal with quick connect buckles

Application:

Fall restraint and fall arrest

Areas of use:

Industrial, work on scaffolding

Order No.	Nominal Load	Weight
45-IK G 1	136 kg	1,1 kg

Full Body Harness IK G 20 A

according to EN 361:2002



Order No.	Nominal Load	Weight
45-IK G 20 A	136 kg	0,95 kg

- D ring at the back (shoulder area)
- 2 front fall arrest attachment loops in the chest area
- Individually adjustable leg and shoulder straps
- Quick connect buckles make the harness easy to fit and remove

Application:

Fall restraint and fall arrest

Areas of use:

Industrial, work on scaffolding, mobile elevating working platforms



Full Body Harness IK G 20 B

according to EN 361:2002



Order No.	Nominal Load	Weight
45-IK G 20 B	136 kg	1,2 kg

- D ring at the back (shoulder area)
- 2 front fall arrest attachment loops in the chest area
- Individually adjustable leg and shoulder straps
- Quick release buckles make the harness easy to fit and remove

Application:

Fall restraint and fall arrest

Areas of use:

Industrial, work on scaffolding, mobile elevating working platforms





Full Body Harness IK G 21

according to EN 361:2002, EN 358:2000, EN 813:2008



Order No.	Nominal Load	Weight
45-IK G 21	136 kg	1,6 kg

- 2 front fall arrest attachment loops in the chest area
- D ring at the back (shoulder area)
- Individually adjustable leg and shoulder straps
- Integrated back and leg padding
- Quick release buckles make the harness easy to fit and remove
- Breathable leg pads

Application:

Fall restraint and fall arrest, Rescue

Areas of use:

Industrial, work on scaffolding



Full Body Harness IK G 25

according to EN 361:2002, EN 358:2000, EN 813:2008



Order No.	Nominal Load	Weight
45-IK G 25	136 kg	1,6 kg

- 2 front fall arrest attachment loops in the chest area
- D ring at the back (shoulder area)
- Individually adjustable leg and shoulder straps
- Integrated back and leg padding
- Quick release buckles make the harness easy to fit and remove
- Breathable leg pads

Application:

Fall restraint and fall arrest

Areas of use:

Industrial, work on scaffolding

Full Body Harness IK G 1 A

according to EN 361:2002



Order No.	Nominal Load	Weight
45-IK G 1 A a	136 kg	1,1 kg

- D ring at the back (shoulder area)
- Individually adjustable leg and shoulder straps
- Quick connect buckles make the harness easy to fit and remove

Application:

Fall restraint and fall arrest

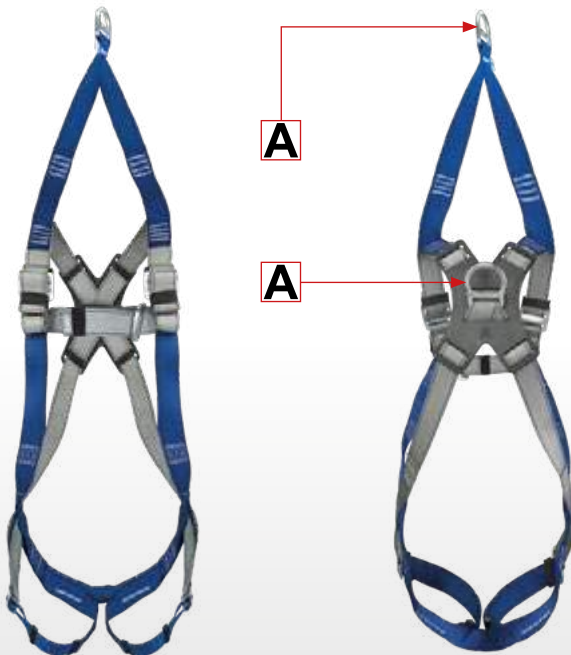
Areas of use:

Industrial, work on scaffolding



Full Body Harness IK G 1 AR

according to EN 361:2002; EN 1497:2007



Order No.	Nominal Load	Weight
45- IK G 1 A R a	136 kg	1,6 kg

- Rescue overhead attachment*
- D ring at the back (shoulder area)
- Individually adjustable leg and shoulder straps
- Quick connect buckles make the harness easy to fit and remove

Application:

Fall restraint, fall arrest with the additional feature of an overhead rescue attachment for confined space applications

Areas of use:

Industrial, construction and utility environments



* A RTFA Type HRA may be attached to this point when used in the vertical application, provided that the lifeline is attached from directly above.



Full Body Harness IK G 1 AW

according to EN 361:2002; EN 358:2000



- Rear dorsal fall arrest D ring
- Individual size adjustment by secured setting elements
- Padded back support with ventilation ducts
- 2 side D rings for work positioning
- Quick connect buckles make the harness easy to fit and remove
- 4 tool bag eyes

Application:

Fall restraint, work positioning and fall arrest

Areas of use:

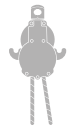
Industrial, construction and utility environments

Order No.	Nominal Load	Weight
45-IK G 1 A W	136 kg	1,7 kg



Full Body Harness IK G 1 B

according to EN 361:2002



- Rear dorsal fall arrest D ring
- Individual size adjustment by secured setting elements
- Wide back plate for Fixation of the back D-ring
- Quick release buckles make the harness easy to fit and remove

Application:

Fall restraint and fall arrest

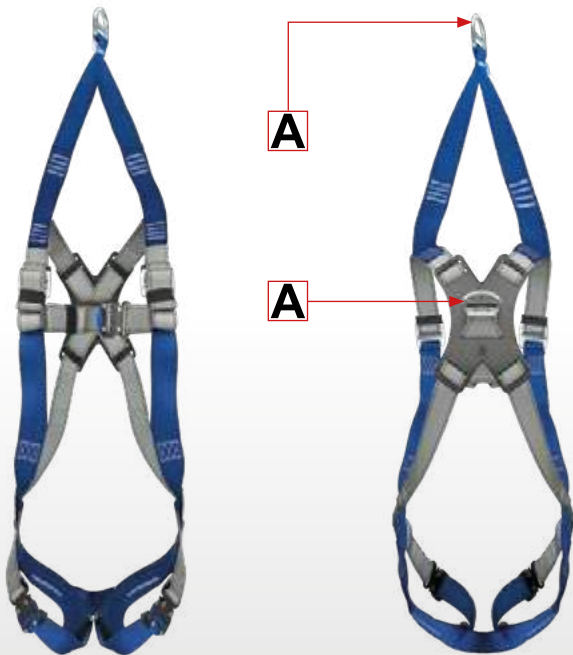
Areas of use:

Industrial, construction and utility environments

Order No.	Nominal Load	Weight
45- IK G 1 B a	136 kg	1,35 kg

Full Body Harness IK G 1 BR

according to EN 361:2002; EN 1497:2007



Order No.	Nominal Load	Weight
45-IK G 1 BR	136 kg	1,65 kg

* A RTFA Type HRA may be attached to this point when used in the vertical application, provided that the lifeline is attached from directly above.

- Rescue overhead attachment*
- Rear dorsal fall arrest D ring
- Individual size adjustment by secured setting elements
- Quick release buckles make the harness easy to fit and remove

Application:

Fall restraint and fall arrest

Areas of use:

Industry, confined space, utility environments

Full Body Harness IK G 1 BX flex

according to EN 361:2002



Order No.	Nominal Load	Weight
45-IK G 1 BX flex	136 kg	1,6 kg

- Rear dorsal fall arrest D ring
- Individual size adjustment by Quick adjustment element in the strap on each side
- Breathable back padding
- Sub-pelvic and leg loops made of elasticated webbing material
- Quick release buckles make the harness easy to fit and remove
- Integral lanyard Parking Points

Application:

Fall restraint and fall arrest

Areas of use:

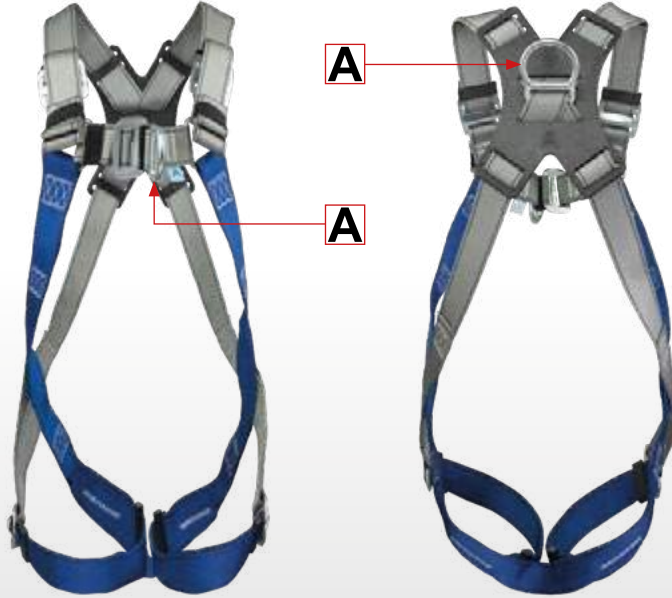
Industrial, construction and utility environments





Full Body Harness IK G 2 A

according to EN 361:2002



- Rear dorsal fall arrest D ring
- Front sternum fall arrest D ring
- Individual size adjustment by secured setting elements
- Quick connect buckles make the harness easy to fit and remove

Application:

Fall restraint and fall arrest

Areas of use:

Industry, construction and utility environments

Order No.	Nominal Load	Weight
45-IK G 2 A a	136 kg	1,35 kg



Full Body Harness IK G 2 A Pad

according to EN 361:2002



- Rear dorsal fall arrest D ring
- Front sternum fall arrest D ring
- Integrated back padding
- Individual size adjustment by secured setting elements
- Quick connect buckles make the harness easy to fit and remove

Application:

Fall arrest, fall restraint, rescue

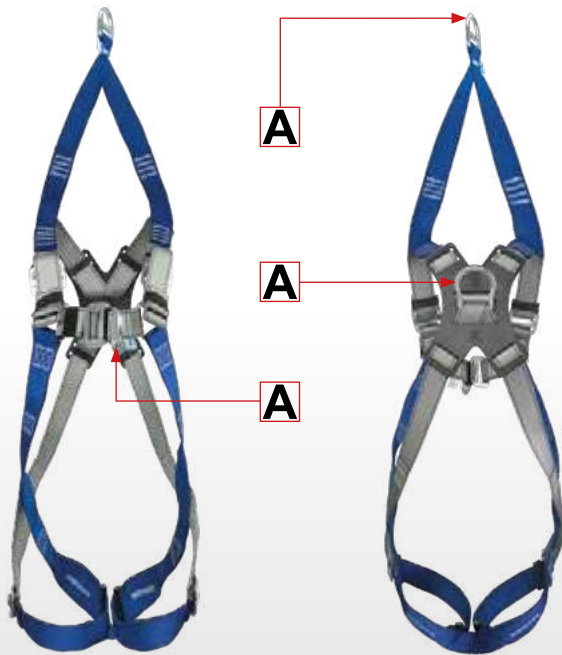
Areas of use:

Industry, Construction

Order No.	Nominal Load	Weight
45-IK G 2 A PAD a	136 kg	1,6 kg

Full Body Harness IK G 2 AR

according to EN 361:2002; EN 1497:2007



Order No.	Nominal Load	Weight
45-IK G 2 A R a	136 kg	1,5 kg

* A RTFA Type HRA may be attached to this point when used in the vertical application, provided that the lifeline is attached from directly above.

- Rescue overhead attachment*
- Rear dorsal fall arrest D ring
- Front sternum fall arrest D ring
- Individually adjustable leg and shoulder straps
- Quick connect buckles make the harness easy to fit and remove

Application:

Fall arrest, fall restraint, rescue

Areas of use:

Industry, confined space



Full Body Harness IK G 2 AW

according to EN 361:2002; EN 358:2000



Order No.	Nominal Load	Weight
45- IK G 2 A W	136 kg	1,6 kg

- Rear dorsal fall arrest D ring
- Front sternum fall arrest D ring
- Padded back support with ventilation ducts
- 2 side D rings for work positioning
- Individual size adjustment by secured setting elements
- Quick connect buckles make the harness easy to fit and remove
- 4 tool bag eyes

Application:

Fall Arrest, fall restraint, rescue, work positioning

Areas of use:

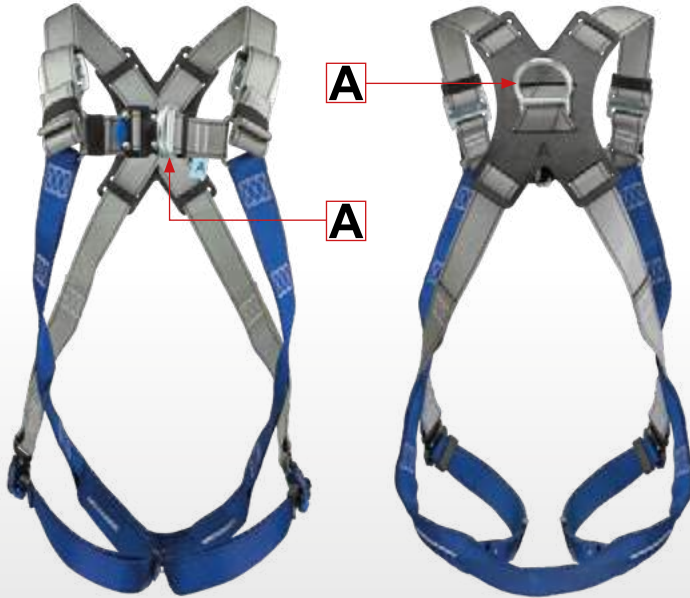
Industry, construction





Full Body Harness IK G 2 B

according to EN 361:2002



- Rear dorsal fall arrest D ring
- Front sternum fall arrest D ring
- Individual size adjustment by secured setting elements
- Quick release buckles make the harness easy to fit and remove

Application:

Fall restraint and fall arrest

Areas of use:

Industry, scaffolding

Order No.	Nominal Load	Weight
45-IK G 2 B a	136 kg	1,6 kg



Full Body Harness IK G 2 B Pad

nach EN 361:2002



- Rear dorsal fall arrest D ring
- Front sternum fall arrest D ring
- Integrated back padding
- Individual size adjustment by secured setting elements
- Quick release buckles make the harness easy to fit and remove

Application:

Fall Arrest, fall restraint, rescue

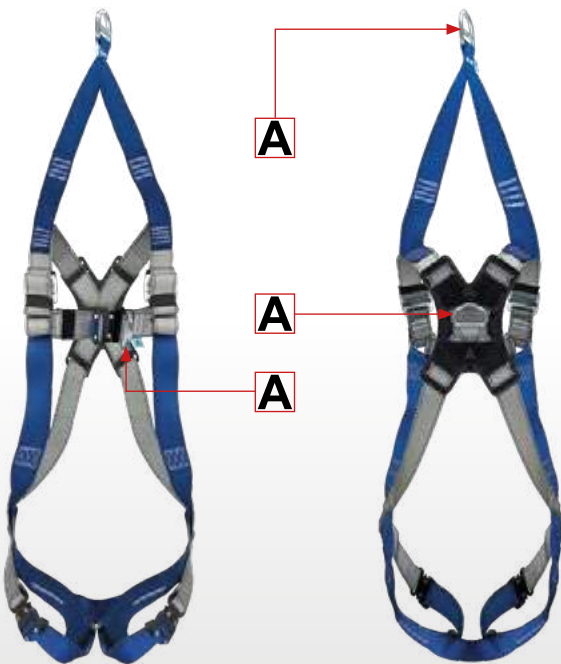
Areas of use:

Industry, construction

Order No.	Nominal Load	Weight
45-IK G 2 B Pad	136 kg	1,7 kg

Full Body Harness IK G 2 BR

according to EN 361:2002; EN 1497:2007



- Rescue overhead attachment*
- Rear dorsal fall arrest D ring
- Front sternum fall arrest D ring
- Individual size adjustment by secured setting elements
- Quick release buckles make the harness easy to fit and remove

Application:

Fall Arrest, fall restraint, rescue, work positioning

Areas of use:

Industry, scaffolding, confined space

Order No.	Nominal Load	Weight
45-IK G 2 B R a	136 kg	1,6 kg

* A RTFA Type HRA may be attached to this point when used in the vertical application, provided that the lifeline is attached from directly above.

Full Body Harness IK G 2 BW

nach EN 361:2002, EN 358:2000



- Rear dorsal fall arrest D ring
- Front sternum fall arrest D ring
- Padded back support with ventilation ducts
- 2 side D rings for work positioning
- Individual size adjustment by secured setting elements
- Quick release buckles make the harness easy to fit and remove
- 4 tool bag eyes

Application:

Fall Arrest, fall restraint, rescue, work positioning

Areas of use:

Industry, construction

Order No.	Nominal Load	Weight
45-IK G 2 B W	136 kg	2,1 kg





Full Body Harness IK G 2 C

according to EN 361:2002



- Rear dorsal fall arrest D ring
- 2 front fall arrest attachment loops
- Individually adjustable leg and shoulder straps
- Quick release buckles make the harness easy to fit and remove

Application:

Fall restraint and fall arrest

Areas of use:

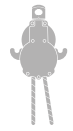
Industrial, work on scaffolding

Order No.	Nominal Load	Weight
45-IK G 2 C	136 kg	1,5 kg



Full Body Harness IK G 2 BX flex

according to EN 361:2002



- Rear dorsal fall arrest D ring
- Front sternum fall arrest D ring
- Individual size adjustment by Quick adjustment element
- Sub-pelvic and leg loops made of elasticated webbing material
- Integrated back padding
- Quick release buckles make the harness easy to fit and remove

Application:

Fall restraint and fall arrest

Areas of use:

Industrial, work on scaffolding

Order No.	Nominal Load	Weight
45-IK G 2 BX flex	136 kg	1,8 kg

Full Body Harness IK G 2 DXF flex

according to EN 361:2002



Order No.	Nominal Load	Weight
45-IK G 2 DXF flex	136 kg	1,7 kg

- Rear dorsal fall arrest D ring
- Front sternum fall arrest D ring
- Individually adjustable leg and shoulder straps
- Chest strap for stability
- Sub-pelvic and leg loops made of elasticated webbing material
- Quick release buckles make the harness easy to fit and remove

Application:

Fall arrest, fall restraint, rescue, work positioning

Areas of use:

Industry, scaffolding



Full Body Harness IK G 2 DXFP flex

according to EN 361:2002; EN 358:2018



Order No.	Nominal Load	Weight
45-IK G 2 DXFP flex	136 kg	1,7 kg

- Rear dorsal fall arrest D ring
- Front sternum fall arrest D ring
- Individually adjustable leg and shoulder straps
- Chest strap for stability
- Integrated back padding
- Sub-pelvic and leg loops made of elasticated webbing material
- Quick release buckles make the harness easy to fit and remove

Application:

Fall arrest, fall restraint, rescue, work positioning

Areas of use:

Industry, scaffolding



Warning Jacket with integral Full Body Harness IKWA

according to EN 361:2002; ISO 20471

especially for installable IKAR harnesses



- Special, high-quality warning jacket with 3M Scotchlite ® fluorescent strip, robust and easy-care textile with high isolation and wearing comfort
- Inner vest for harness assembly with harness fixation, suitable for quick assembly and disassembly with IKAR harness systems suitable for easy fit and remove of an IKAR two-point fall arrest harness, not suitable for IKAR harnesses with waistbelt
- Feed-through slots can be closed in a weather-proof manner
- Sewn-in hooded pocket in the inner upper back area for the rescue loop
- Available in 3 sizes S-M, L-XL, XXL
- Weights 820 g, 860 g, 900 g, depending on size
- Permitted as high-visibility clothing in road traffic
- Nominal load: 136 kg

Application:

Fall arrest, fall restraint, rescue, work positioning

Areas of use:

Industrial, construction and utility environments

Harness + Jacket	Size	Order No.
IK G20 As	S-M	45-IKWA G 20 A s
IK G20 A	L-XL	45-IKWA G 20 A
IK G20 A BB	XXL	45-IKWA G 20 A BB
IK G20 Bs	S-M	45-IKWA G 20 B s
IK G20 B	L-XL	45-IKWA G 20 B
IK G20 B BB	XXL	45-IKWA G 20 B BB
IK G1 As	S-M	45-IKWA G 1 A as
IK G1 A	L-XL	45-IKWA G 1 A a
IK G1 A BB	XXL	45-IKWA G 1 A BB
IK G1 Bs	S-M	45-IKWA G 1 B as
IK G1 B	L-XL	45-IKWA G 1 B a
IK G1 B BB	XXL	45-IKWA G 1 B aBB
IK G1 BRs	S-M	45-IKWA G 1 B Rs
IK G1 BR	L-XL	45-IKWA G 1 BR a
IK G1 BR BB	XXL	45-IKWA G 1 BR aBB

Harness + Jacket	Size	Order No.
IK G2 As	S-M	45-IKWA G 2 As
IK G2 A	L-XL	45-IKWA G 2 A
IK G2 A BB	XXL	45-IKWA G 2 A BB
IK G2 Bs	S-M	45-IKWA G 2 B as
IK G2 B	L-XL	45-IKWA G 2 B a
IK G2 B BB	XXL	45-IKWA G 2 B BB
IK G2 ARs	S-M	45-IKWA G 2 AR as
IK G2 AR	L-XL	45-IKWA G 2 AR
IK G2 AR BB	XXL	45-IKWA G 2 AR BB
IK G2 BRs	S-M	45-IKWA G 2 BR as
IK G2 BR	L-XL	45-IKWA G 2 BR a
IK G2 BR BB	XXL	45-IKWA G 2 BR aBB
IK G2 Cs	S-M	45-IKWA G 2 Cs
IK G2 C	L-XL	45-IKWA G 2 C
IK G2 C BB	XXL	45-IKWA G 2 C BB

Full Body Harness IK G 3 BW

according to EN 361:2002; EN 358:2000



Order No.	Nominal Load	Weight
45-IK G 3 B W	136 kg	2,0 kg

- Rear dorsal fall arrest D ring
- Padded back support with ventilation ducts
- 2 side D rings for work positioning
- Individually adjustable leg and shoulder straps
- Quick release buckles make the harness easy to fit and remove
- 4 tool bag eyes

Application:

Fall restraint, work positioning and fall arrest

Areas of use:

Industrial, work on scaffolding, construction and utility environments



Full Body Harness IK G 3 BCW

according to EN 361:2002; EN 358:2000



Order No.	Nominal Load	Weight
45-IK G 3 B C W	136 kg	2,1 kg

- Rear dorsal fall arrest D ring
- 2 front fall arrest attachment loops
- Padded back support with ventilation ducts
- 2 side D rings for work positioning
- Individually adjustable leg and shoulder straps
- Quick release buckles make the harness easy to fit and remove
- 4 tool bag eyes

Application:

Fall restraint, abseiling, work positioning and fall arrest

Areas of use:

Industrial, work on scaffolding, construction and utility environments



Full Body- and Sit Harness IK G 4 DW

according to EN 361:2002; EN 358:2000; EN 813:2008

developed for IKAR Personnel and Load Winch



- 1 D ring in the chest area
- 1 D-ring in the back (shoulder)
- Individual size adjustment per leg and shoulder straps
- Padded back support with ventilation ducts
- Integrated waistbelt with 2 D rings for work positioning
- Aluminium quick release buckles
- 4 tool bag eyes
- Leg padding

Application:

Fall arrest, fall restraint, rescue, work positioning

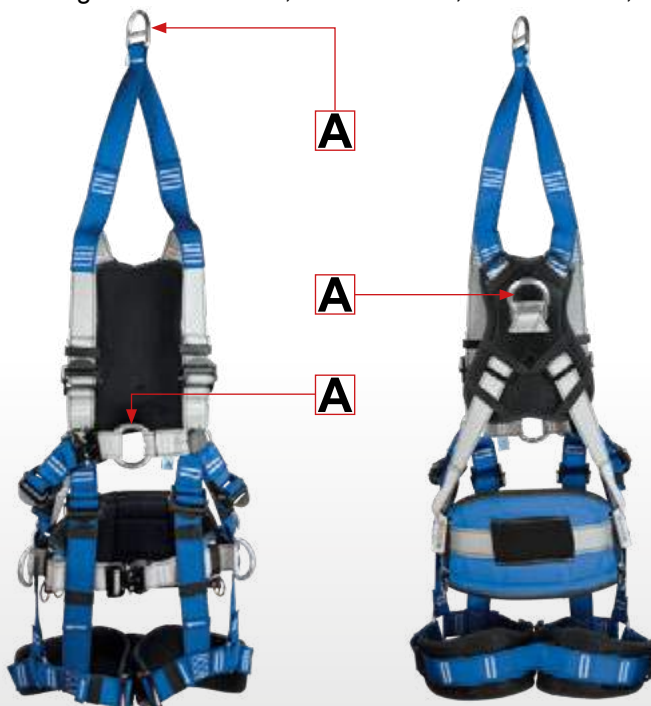
Areas of use:

Industry, construction, confined space, utility environments, scaffolding

Order No.	Nominal Load	Weight
45-IK G 4 DW	136 kg	3,0 kg

Full Body- / Sit- and Rescue Harness IK G 4 DWR

according to EN 361:2002; EN 358:2000; EN 813:2008; EN 1497:2007 *for IKAR Personnel and Load Winch*



- 1 D ring in the chest area
- 1 D-ring in the back (shoulder)
- 1 rescue and recovery loop with aluminum D-ring*
- Individual size adjustment per leg and shoulder straps
- Padded back support with ventilation ducts
- Integrated waistbelt with 2 D rings for work positioning
- Aluminium quick release buckles
- 4 tool bag eyes and leg padding

Application:

Fall arrest, fall restraint, rescue, work positioning

Areas of use:

Industry, construction, confined space, utility environments, scaffolding

Order No.	Nominal Load	Weight
45-IK G 4 DW R	136 kg	3,0 kg

* A RTFA Type HRA may be attached to this point when used in the vertical application, provided that the lifeline is attached from directly above.

Full Body- and Sit Harness IK G 4 DWS

according to EN 361:2002; EN 358:2000; EN 813:2008

developed for IKAR Personnel and Load Winch



Order No.	Nominal Load	Weight
45-IK G 4 DW S	136 kg	3,0 kg

- 1 D ring in the chest area
- 1 D-ring in the back (shoulder)
- Individual size adjustment per leg and shoulder straps
- D-ring in the front for ascending
- padded back support with ventilation ducts
- Integrated waistbelt with 2 D rings for work positioning
- Aluminium quick release buckles
- 4 tool bag eyes and leg padding

Application:

Fall arrest, fall restraint, rescue, work positioning

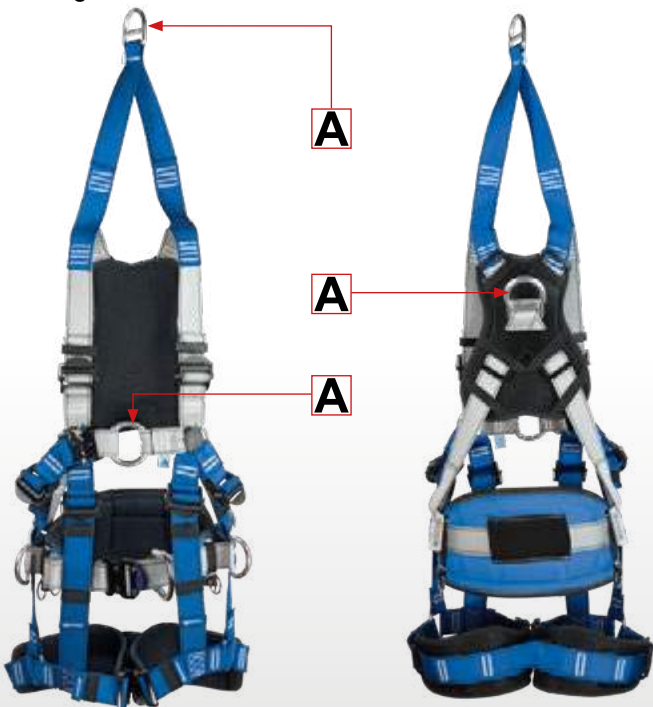
Areas of use:

Industry, construction, confined space, utility environments, scaffolding



Full Body- / Sit- and Rescue Harness IK G 4 DWRS

according to EN 361:2002; EN 358:2000; EN 813:2008; EN 1497:2007 for IKAR Personnel and Load Winch



Order No.	Nominal Load	Weight
45-IK G 4 DW RS	136 kg	3,0 kg

- 1 D ring in the chest area
- 1 D-ring in the back (shoulder)
- 1 rescue and recovery loop with aluminum D-ring*
- Individual size adjustment per leg and shoulder straps
- D-ring in the front for ascending
- Padded back support with ventilation ducts
- Integrated waistbelt with 2 D rings for work positioning
- Aluminium quick release buckles
- 4 tool bag eyes and leg padding

Application:

Fall arrest, fall restraint, rescue, work positioning

Areas of use:

Industry, construction, confined space, utility environments, scaffolding



* A RTFA Type HRA may be attached to this point when used in the vertical application, provided that the lifeline is attached from directly above.



Full Body- and Sit Harness IK G 5 BCW

according to EN 361:2002; EN 358:2000; EN 813:2008



- 2 front fall arrest attachment loops in the chest area
- 1 D-ring in the back (shoulder)
- Simple adjustment on shoulder straps, chest strap and leg loops to ensure maximum adjustment to fit an extensive size range
- Padded back support with ventilation ducts
- 2 side D rings for work positioning
- 2 attachment loops at waistbelt
- Innovative quick release buckles

Application:

Fall arrest, fall restraint, rescue, work positioning

Areas of use:

Industry, construction, confined space, utility environments, scaffolding

Order No.	Nominal Load	Weight
45-IK G 5 BCW	136 kg	3,0 kg

Shoulder Pads & Leg Pads

according to IKAR belt systems



Shoulder Pad:

The IKAR shoulder pad is a comfort component for IKAR harnesses. Due to the modern and highquality materials used it is dimensionally stable, particularly light and air-permeable. It provides pressure relief on the shoulders especially when using IKAR RTFA with Twin Adapter.

Leg Pads:

The ergonomically ideal shaped leg pad follows the movement line at the transition of the legs to the buttocks. As a result, the freedom of movement of the joint is not restricted and, in the case of a catching or hanging in the harness, an optimal load removal of the catch impact into the buttocks is ensured.

Order No.	Product	Weight	Dimensions (mm)
45-IK Pad Schulter	Shoulder Pad	0,02 kg	180 x 80 x 8
45-PadBein	Leg Pad	0,04 kg	45 x 60 (110) x 8

Seat Board

for support with IKAR harnesses



- Light, compact and comfortable due to the easy-care and robust pole with internal aluminium support plate
- Can be attached to the (D-ring) IKV 37
- Straps of 45 mm wide webbing made of polyester
- Individually adjustment for optimal ergonomic seating
- Additionally equipped with material and tool eyelets

Application:

Work positioning, person transport

Application:

IKAR HPL-Systems

Order No.	Capacity Load	Weight	Dimensions (mm)
45-IK SB	136 kg	2 kg	approx. 600 x 190 x 140

Trauma Step

to help relieve trauma after a fall



- Adjustable length
- Ensures the relief of the strains and promotes so the blood circulation in the legs
- Easy attachment to the harness
- Simple and fast zipper style
- Continuous loop construction with 1.2 m overall length
- Sold in pairs

Order No.	Capacity Load	Weight	Dimensions (mm)	Strap (mm)
45-IK TS	140 kg	53 g	Ø 65 x 40	19 x 200





Waistbelt IK W BB according to EN 358:2000

- 45 mm wide polyamide webbing with quick release buckle
- Wide backrest with ventilation ducts
- 2 side D rings (45 mm)
- 4 tool bag eyes



Variants Waistbelts:

Waistbelt IK W BB:

- Waistbelt, without rope

Waistbelt IK W BB 100:

- Waistbelt, with Ø 11 mm kernmantle rope
- Lanyard length 1,00 m
- Steel double action hook IKV 06

Waistbelt IK W BB 150 A6:

- Waistbelt, with Ø 11 mm kernmantle rope
- Lanyard length 1,50 m, adjustable in length
- Steel double action hook IKV 06



Order No.	Variant	Weight
45-IK W BB	without rope	0,70 kg
45-IK W BB K 100 6	with rope	1,10 kg
45-IK W BB K 150 A6	with rope, adjustable in length	1,15 kg



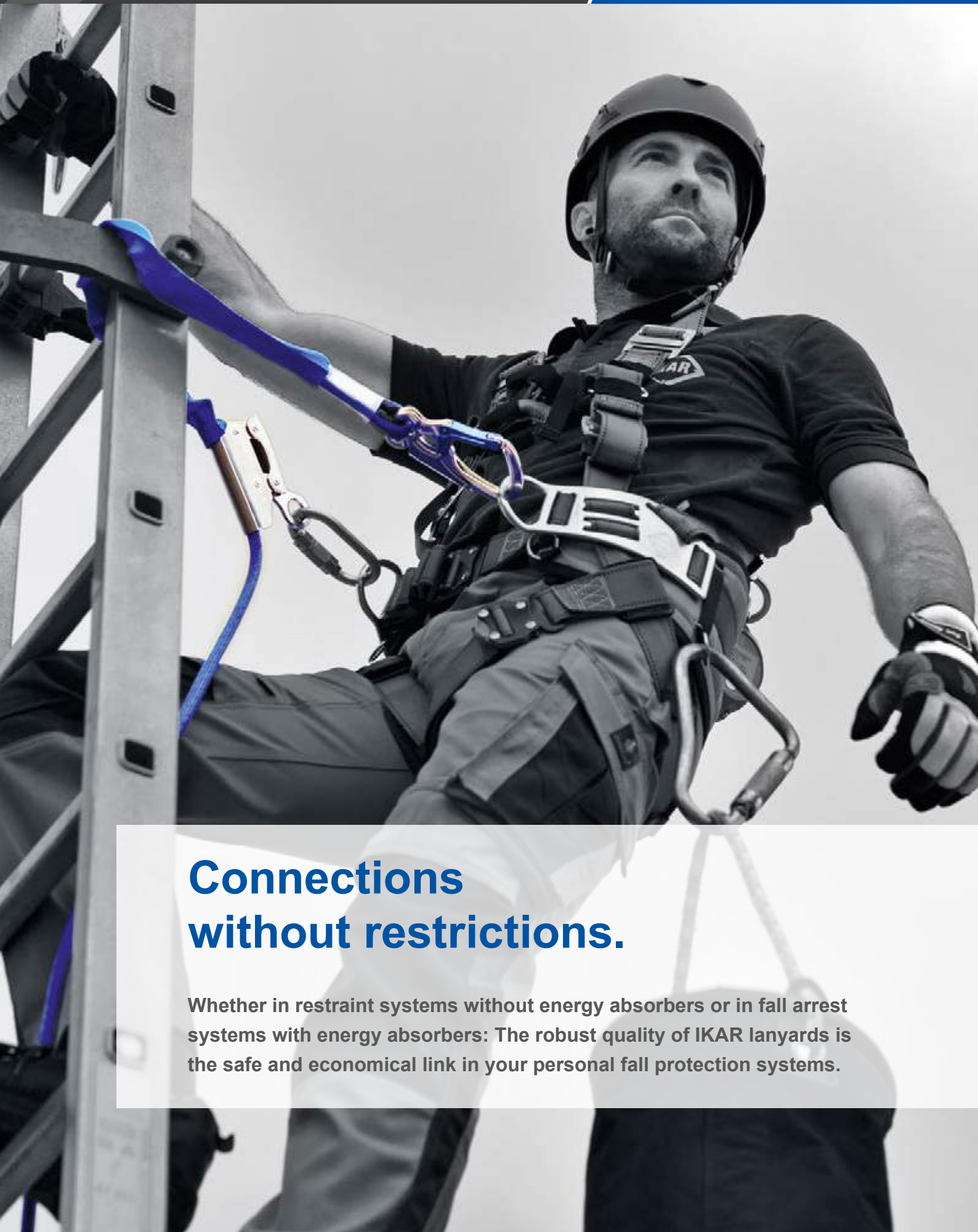
Waistbelt IK WRB B 150 A13

according to EN 358:2000

- 45 mm wide polyamide webbing with quick release buckle
- Narrow, air-permeable back support
- Lateral retaining eyelet



Order No.	Weight
45-IK WRB B 150 A13	1,1 kg



Connections without restrictions.

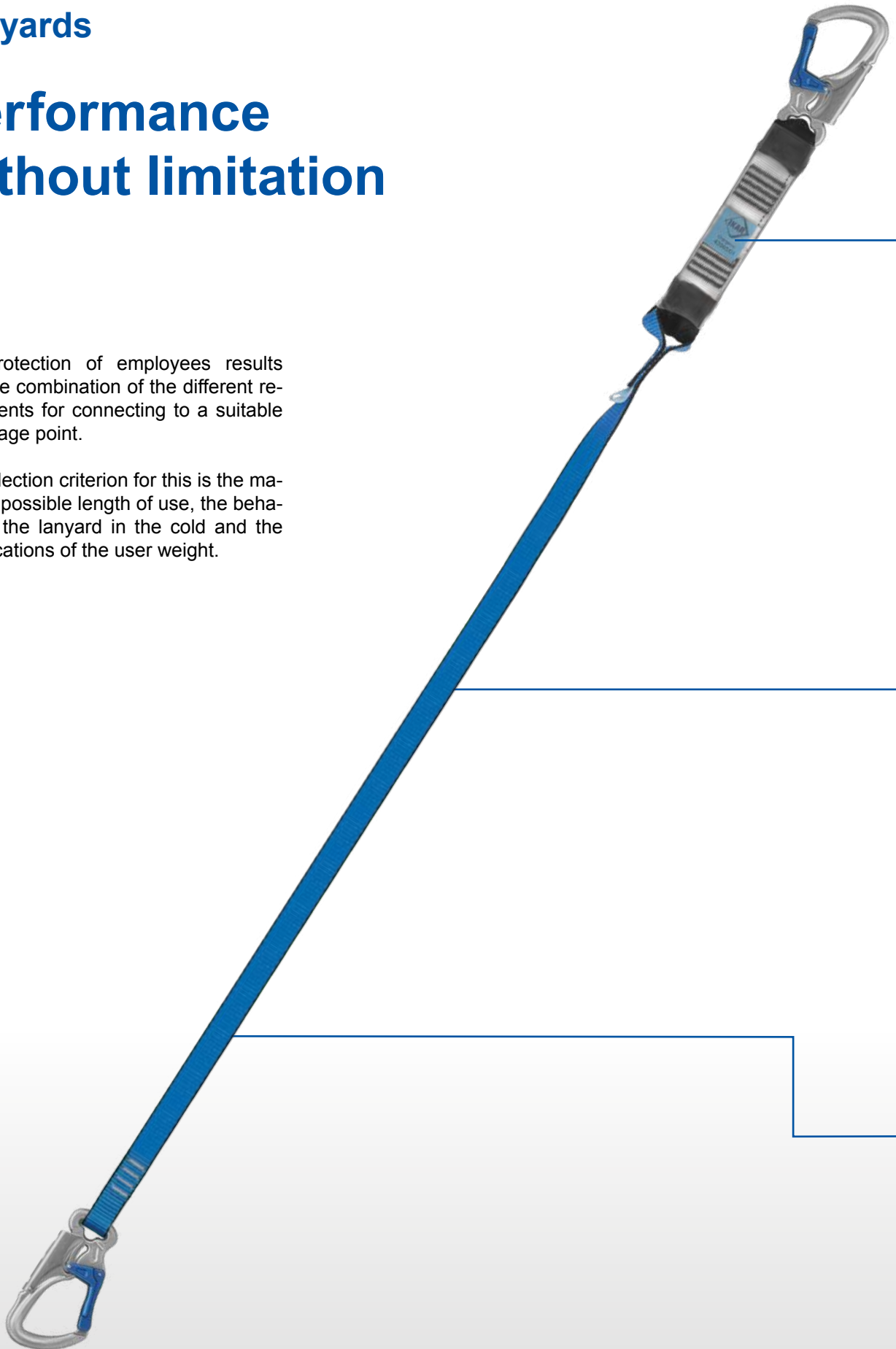
Whether in restraint systems without energy absorbers or in fall arrest systems with energy absorbers: The robust quality of IKAR lanyards is the safe and economical link in your personal fall protection systems.

Lanyards

Performance without limitation

The protection of employees results from the combination of the different requirements for connecting to a suitable anchorage point.

The selection criterion for this is the maximum possible length of use, the behavior of the lanyard in the cold and the specifications of the user weight.





Performance at a wide range of application

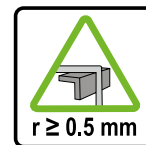
The energy absorber is designed for a user weight of 65-136 kg.

The system can be used from -30 °C to +50 °C.

Maximum Arrest Force under 6 kN

Universal use

IKAR Energy Absorbing Lanyards have been certified in a simulated fall trial over an edge.



Fall protection without restriction

A total length of the system of up to 2 m is possible without restriction of the maximum allowed fall distance.



Webbing Lanyard according to EN 354:2010

- Made from 25 mm polyester webbing
- Variants connecting elements at each end of the lanyard:
 - Aluminium IKV 11 (gate opening 25 mm)
 - Steel IKV 06 (gate opening 18 mm)



Length	Order No. (IKV 06)	Order No. (IKV 11)
1,00 m	45-IK6 B 100 6	45-IK2 B 100 2
1,50 m	45-IK6 B 150 6	45-IK2 B 150 2
1,75 m	45-IK6 B 175 6	45-IK2 B 175 2
2,00 m	45-IK6 B 200 6	45-IK2 B 200 2

Application:

Restraint, work positioning

Areas of use:

Industry, Utility, Construction



Adjustable Webbing Lanyard according to EN 358:2000

Made from 25 mm polyester webbing

Variant 1:

- Variants connecting elements at each end of the lanyard:
 - Aluminium IKV 11 (gate opening 25 mm)
 - Steel IKV 06 (gate opening 18 mm)



Length	Order No. (IKV 06)	Order No. (IKV 11)
1,00 m	45-IK6 B 100 A6	45-IK2 B 100 A2
1,50 m	45-IK6 B 150 A6	45-IK2 B 150 A2
1,75 m	45-IK6 B 175 A6	45-IK2 B 175 A2
2,00 m	45-IK6 B 200 A6	45-IK2 B 200 A2

Application:

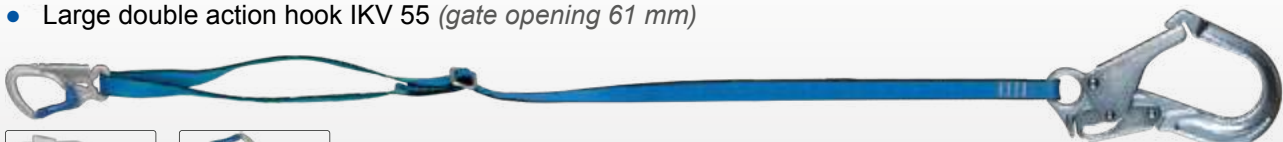
Restraint, work positioning

Areas of use:

Industry, Utility, Construction

Variant 2:

- Variants connecting elements at one end of the lanyard:
 - Aluminium IKV 11 (gate opening 25 mm)
 - Steel IKV 06 (gate opening 18 mm)
- Large double action hook IKV 55 (gate opening 61 mm)



Length	Order No. (IKV 06)	Order No. (IKV 11)
1,00 m	45-IK6 B 100 A3	45-IK2 B 100 A3
1,50 m	45-IK6 B 150 A3	45-IK2 B 150 A3
1,75 m	45-IK6 B 175 A3	45-IK2 B 175 A3
2,00 m	45-IK6 B 200 A3	45-IK2 B 200 A3

Application:

Restraint, work positioning

Areas of use:

Industry, Utility, Construction

Kernmantle Rope Lanyard according to EN 354:2010

- Made from Ø 11 mm kernmantle rope
- Variants connecting elements at each end of the lanyard:
 - Aluminium IKV 11 (gate opening 25 mm)
 - Steel IKV 06 (gate opening 18 mm)



Length	Order No. (IKV 06)	Order No. (IKV 11)
1,00 m	45-IK6 K 100 6	45-IK2 K 100 2
1,50 m	45-IK6 K 150 6	45-IK2 K 150 2
1,75 m	45-IK6 K 175 6	45-IK2 K 175 2
2,00 m	45-IK6 K 200 6	45-IK2 K 200 2

Application:

Restraint, work positioning

Areas of use:

Industry, Utility, Construction



Adjustable Kernmantle Rope Lanyard according to EN 358:2000

Made from Ø 11 mm kernmantle rope

Variant 1:

- Variants connecting elements at each end of the lanyard:
 - Aluminium IKV 11 (gate opening 25 mm)
 - Steel IKV 06 (gate opening 18 mm)



Length	Order No. (IKV 06)	Order No. (IKV 11)
1,00 m	45-IK6 K 100 A6	45-IK2 K 100 A2
1,50 m	45-IK6 K 150 A6	45-IK2 K 150 A2
1,75 m	45-IK6 K 175 A6	45-IK2 K 175 A2
2,00 m	45-IK6 K 200 A6	45-IK2 K 200 A2

Application:

Restraint, work positioning

Areas of use:

Industry, Utility, Construction



Variant 2:

- Variants connecting elements at one end of the lanyard:
 - Aluminium IKV 11 (gate opening 25 mm)
 - Steel IKV 06 (gate opening 18 mm)
- Large double action hook IKV 55 (Öffnungsweite 61 mm)



Length	Order No. (IKV 06)	Order No. (IKV 11)
1,00 m	45-IK6 K 100 A3	45-IK2 K 100 A3
1,50 m	45-IK6 K 150 A3	45-IK2 K 150 A3
1,75 m	45-IK6 K 175 A3	45-IK2 K 175 A3
2,00 m	45-IK6 K 200 A3	45-IK2 K 200 A3

Application:

Restraint, work positioning

Areas of use:

Industry, Utility, Construction



Webbing Energy Absorbing Lanyard

according to EN 354:2010; EN 355:2002

- Energy absorbing element with 25 mm webbing lanyard
- Nominal load 65 - 136 kg
- Can be used up to -30° C
- Connector variants at web or Energy Absorber:
 - Aluminium IKV 11 (*gate opening 25 mm*)
 - Steel IKV 06 (*gate opening 18 mm*)



Length	Order No. (IKV 06)	Order No. (IKV 11)
1,00 m	45-IK6 FB 100 6	45-IK2 FB 100 2
1,50 m	45-IK6 FB 150 6	45-IK2 FB 150 2
1,75 m	45-IK6 FB 175 6	45-IK2 FB 175 2
2,00 m	45-IK6 FB 200 6	45-IK2 FB 200 2

Application:

For use in fall arrest systems

Areas of use:

Industrial, scaffolding



Webbing Energy Absorbing Lanyard

according to EN 354:2010; EN 355:2002

- Energy absorbing element with 25 mm webbing lanyard
- Nominal load 65 - 136 kg
- Can be used up to -30° C
- Large double action hook IKV 55 (*gate opening 61 mm*)
- Connector variants at Energy Absorber:
 - Aluminium IKV 11 (*gate opening 25 mm*)
 - Steel IKV 06 (*gate opening 18 mm*)



Length	Order No. (IKV 06)	Order No. (IKV 11)
1,00 m	45-IK6 FB 100 3	45-IK2 FB 100 3
1,50 m	45-IK6 FB 150 3	45-IK2 FB 150 3
1,75 m	45-IK6 FB 175 3	45-IK2 FB 175 3
2,00 m	45-IK6 FB 200 3	45-IK2 FB 200 3

Application:

For use in fall arrest systems

Areas of use:

Industrial, scaffolding



Webbing Energy Absorbing Y Lanyard

according to EN 354:2010; EN 355:2002

- Energy absorbing element with 25 mm webbing lanyard. Y-Version
- Nominal load 65 - 136 kg
- Can be used up to -30° C
- Connector variants at web or Energy Absorber:
 - Aluminium IKV 11 (gate opening 25 mm)
 - Steel IKV 06 (gate opening 18 mm)



Length	Order No. (IKV 06)	Order No. (IKV 11)
1,00 m	45-IK6 FB 100 Y6	45-IK2 FB 100 Y2
1,50 m	45-IK6 FB 150 Y6	45-IK2 FB 150 Y2
1,75 m	45-IK6 FB 175 Y6	45-IK2 FB 175 Y2
2,00 m	45-IK6 FB 200 Y6	45-IK2 FB 200 Y2

Application:

For use in fall arrest systems

Areas of use:

Industrial, scaffolding



Webbing Energy Absorbing Y Lanyard

according to EN 354:2010; EN 355:2002

- Energy absorbing element with 25 mm webbing lanyard. Y-Version
- Nominal load 65 - 136 kg
- Can be used up to -30° C
- Large double action hook IKV 55 (gate opening 61 mm)
- Connector variants at Energy Absorber:
 - Aluminium IKV 11 (gate opening 25 mm)
 - Steel IKV 06 (gate opening 18 mm)



Length	Order No. (IKV 06)	Order No. (IKV 11)
1,00 m	45-IK6 FB 100 Y3	45-IK2 FB 100 Y3
1,50 m	45-IK6 FB 150 Y3	45-IK2 FB 150 Y3
1,75 m	45-IK6 FB 175 Y3	45-IK2 FB 175 Y3
2,00 m	45-IK6 FB 200 Y3	45-IK2 FB 200 Y3

Application:

For use in fall arrest systems

Areas of use:

Industrial, scaffolding





Kernmantle Rope Energy Absorbing Lanyard

according to EN 354:2010; EN 355:2002

- Energy absorbing element with Ø 11 mm rope lanyard
- Nominal load 65 - 136 kg
- Can be used up to -30° C
- Connector variants at rope and Energy Absorber:
 - Aluminium IKV 11 (*gate opening 25 mm*)
 - Steel IKV 06 (*gate opening 18 mm*)



Length	Order No. (IKV 06)	Order No. (IKV 11)
1,00 m	45-IK6 FK 100 6	45-IK2 FK 100 2
1,50 m	45-IK6 FK 150 6	45-IK2 FK 150 2
1,75 m	45-IK6 FK 175 6	45-IK2 FK 175 2
2,00 m	45-IK6 FK 200 6	45-IK2 FK 200 2

Application:

For use in fall arrest systems

Areas of use:

Industrial, scaffolding



Kernmantle Rope Energy Absorbing Lanyard

according to EN 354:2010; EN 355:2002

- Energy absorbing element with Ø 11 mm rope lanyard
- Nominal load 65 - 136 kg
- Can be used up to -30° C
- Large double action hook IKV 55 (*gate opening 61 mm*)
- Connector variants at Energy Absorber:
 - Aluminium IKV 11 (*gate opening 25 mm*)
 - Steel IKV 06 (*gate opening 18 mm*)



Length	Order No. (IKV 06)	Order No. (IKV 11)
1,00 m	45-IK6 FK 100 3	45-IK2 FK 100 3
1,50 m	45-IK6 FK 150 3	45-IK2 FK 150 3
1,75 m	45-IK6 FK 175 3	45-IK2 FK 175 3
2,00 m	45-IK6 FK 200 3	45-IK2 FK 200 3

Application:

For use in fall arrest systems

Areas of use:

Industrial, scaffolding



Kernmantle Rope Energy Absorbing Y Lanyard

according to EN 354:2010; EN 355:2002

- Energy absorbing element with Ø 11 mm rope lanyard. Y-Version
- Nominal load 65 - 136 kg
- Can be used up to -30° C
- Connector variants at rope and Energy Absorber:
 - Aluminium IKV 11 (gate opening 25 mm)
 - Steel IKV 06 (gate opening 18 mm)



Length	Order No. (IKV 06)	Order No. (IKV 11)
1,00 m	45-IK6 FK 100 Y6	45-IK2 FK 100 Y2
1,50 m	45-IK6 FK 150 Y6	45-IK2 FK 150 Y2
1,75 m	45-IK6 FK 175 Y6	45-IK2 FK 175 Y2
2,00 m	45-IK6 FK 200 Y6	45-IK2 FK 200 Y2

Application:

For use in fall arrest systems

Areas of use:

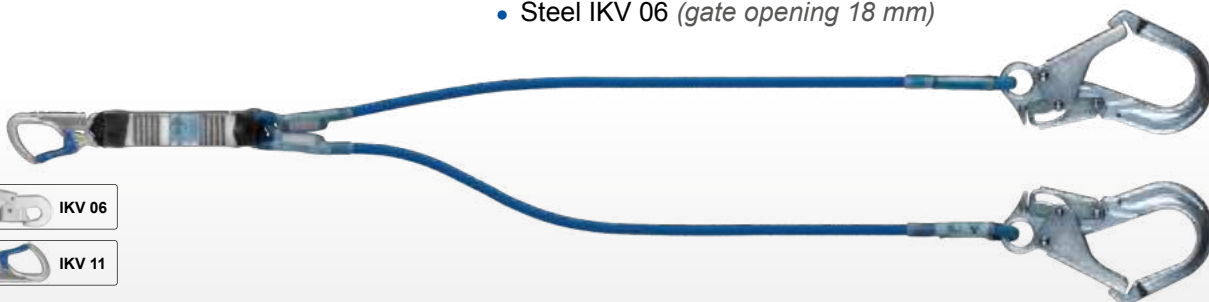
Industrial, scaffolding



Kernmantle Rope Energy Absorbing Y Lanyard

according to EN 354:2010; EN 355:2002

- Energy absorbing element with Ø 11 mm rope lanyard. Y-Version
- Nominal load 65 - 136 kg
- Can be used up to -30° C
- Large double action hook IKV 55 (gate opening 61 mm)
- Connector variants at Energy Absorber:
 - Aluminium IKV 11 (gate opening 25 mm)
 - Steel IKV 06 (gate opening 18 mm)



Length	Order No. (IKV 06)	Order No. (IKV 11)
1,00 m	45-IK6 FK 100 Y3	45-IK2 FK 100 Y3
1,50 m	45-IK6 FK 150 Y3	45-IK2 FK 150 Y3
1,75 m	45-IK6 FK 175 Y3	45-IK2 FK 175 Y3
2,00 m	45-IK6 FK 200 Y3	45-IK2 FK 200 Y3

Application:

For use in fall arrest systems

Areas of use:

Industrial, scaffolding





Steel Cable Energy Absorbing Lanyard

according to EN 354:2010; EN 355:2002

- Energy absorbing element with Ø 4.8 mm galvanised steel cable
- Nominal load 65 - 136 kg
- Can be used up to -30° C
- Connector variants at rope and Energy Absorber:
 - Aluminium IKV 11 (*gate opening 25 mm*)
 - Steel IKV 06 (*gate opening 18 mm*)



Length	Order No. (IKV 06)	Order No. (IKV 11)
1,00 m	45-IK6 FS 100 6	45-IK2 FS 100 2
1,50 m	45-IK6 FS 150 6	45-IK2 FS 150 2
1,75 m	45-IK6 FS 175 6	45-IK2 FS 175 2
2,00 m	45-IK6 FS 200 6	45-IK2 FS 200 2

Application:

For use in fall arrest systems

Areas of use:

Industrial, scaffolding, corrosion protection



Steel Cable Energy Absorbing Lanyard

according to EN 354:2010; EN 355:2002

- Energy absorbing element with Ø 4.8 mm galvanised steel cable
- Nominal load 65 - 136 kg
- Can be used up to -30° C
- Large double action hook IKV 55 (*gate opening 61 mm*)
- Connector variants at Energy Absorber:
 - Aluminium IKV 11 (*gate opening 25 mm*)
 - Steel IKV 06 (*gate opening 18 mm*)



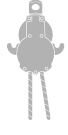
Length	Order No. (IKV 06)	Order No. (IKV 11)
1,00 m	45-IK6 FS 100 3	45-IK2 FS 100 3
1,50 m	45-IK6 FS 150 3	45-IK2 FS 150 3
1,75 m	45-IK6 FS 175 3	45-IK2 FS 175 3
2,00 m	45-IK6 FS 200 3	45-IK2 FS 200 3

Application:

For use in fall arrest systems

Areas of use:

Industrial, scaffolding, corrosion protection



Steel Cable Energy Absorbing Y Lanyard

according to EN 354:2010; EN 355:2002

- Energy absorbing element with Ø 4.8 mm galvanised steel cable. Y-Version
- Nominal load 65 - 136 kg
- Can be used up to -30° C
- Connector variants at rope and Energy Absorber:
 - Aluminium IKV 11 (gate opening 25 mm)
 - Steel IKV 06 (gate opening 18 mm)



Length	Order No. (IKV 06)	Order No. (IKV 11)
1,00 m	45-IK6 FS 100 Y6	45-IK2 FS 100 Y2
1,50 m	45-IK6 FS 150 Y6	45-IK2 FS 150 Y2
1,75 m	45-IK6 FS 175 Y6	45-IK2 FS 175 Y2
2,00 m	45-IK6 FS 200 Y6	45-IK2 FS 200 Y2

Application:

For use in fall arrest systems

Areas of use:

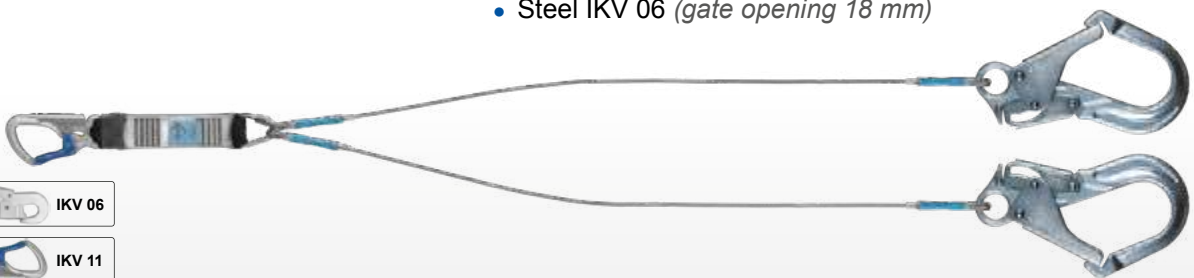
Industrial, scaffolding, corrosion protection



Steel Cable Energy Absorbing Y Lanyard

according to EN 354:2010; EN 355:2002

- Energy absorbing element with Ø 4.8 mm galvanised steel cable. Y-Version
- Nominal load 65 - 136 kg
- Can be used up to -30° C
- Large double action hook IKV 55 (gate opening 61 mm)
- Connector variants at Energy Absorber:
 - Aluminium IKV 11 (gate opening 25 mm)
 - Steel IKV 06 (gate opening 18 mm)



Length	Order No. (IKV 06)	Order No. (IKV 11)
1,00 m	45-IK6 FS 100 Y3	45-IK2 FS 100 Y3
1,50 m	45-IK6 FS 150 Y3	45-IK2 FS 150 Y3
1,75 m	45-IK6 FS 175 Y3	45-IK2 FS 175 Y3
2,00 m	45-IK6 FS 200 Y3	45-IK2 FS 200 Y3

Application:

For use in fall arrest systems

Areas of use:

Industrial, scaffolding, corrosion protection





Guided Type Fall Arrest Device Type IK AG 01

according to EN 353-2:2002

- Ø 12 mm kernmantle lanyard with length 10 m, small steel double action hook IKV 06 with a 18 mm gate opening
- Rope grab device made from V2A stainless steel
- Tear webbing energy absorber with small steel double action hook IKV 06
- Simple, very reliable mechanism / high functional safety
- Maintenance-free



Order No.	Nominal Load
45-IK6 AG 1 1000 6	65 - 136 kg



Adjustable Work Positioning Lanyard

according to EN 353-2:2002

- Kernmantle lanyard Ø 12 mm with:
 - Aluminium double action hook IKV 11 (*gate opening 25 mm*)
 - Steel double action hook IKV 06 (*gate opening 18 mm*)
- Adjustable lanyard clamp IK SL 01
- Rope protection sleeve 0.5 m long



Length	Order No. (IKV 06)	Order No. (IKV 11)
1,00 m	45-IK30 WLK 150 6	45-IK30 WLK 150 2
1,50 m	45-IK30 WLK 175 6	45-IK30 WLK 175 2
1,75 m	45-IK30 WLK 200 6	45-IK30 WLK 200 2



Webbing Lanyard according to EN 354:2010

Lanyard as a component part of a fall arrest system or as a fall resistant attachment

- Lanyard is made from 25 mm polyester webbing
- Carabiner hooks and Ø 50 mm steel ring:
 - Trilock-steel carabiner IKV 30 (*gate opening 25 mm*)
 - Steel carabiner hook IKV 06 (*gate opening 18 mm*) **or**
- Carabiner hook on both ends:
 - Steel double action hook IKV 06 (*gate opening 18 mm*)
 - Large double action Hook IKV 55 (*gate opening 61 mm*)

Length	Order No. (IKV 06)	Order No. (IKV 11)
0,40 m	45-IK6 B 40 R	45-IK30 B 40 R
0,50 m	45-IK6 B 50 R	45-IK30 B 50 R
0,50 m	45-IK6 B 50 3	





Safety. One step ahead.

Our wide range of RTFA's with the horizontal fall trial over an edge, an integrated energy absorbing element that reduces the fall arrest forces below 3 kN, with the shortest arrest distance and continuous quality offer the necessary flexibility for your work.

Retractable Type Fall Arrester

Superior through constructive safety technology

The innovative design and technology of the IKAR devices have kept us at the forefront of height safety for over 40 years.

All IKAR fall arrest devices have low arresting forces, can be used from a low anchorage point and are certified for horizontal use.

Special Attachment

The rotatable Twinadapter TA 05 is designed for connection to a IKAR full body harnesses with an attachment tunnel. This connection technology allows the perfect connection Twin RTFA without uncomfortable "dangling".

Effective

The integrated energy-absorbing element (brake) ensures short arrest distances and lower fall arrest forces than specified in international standards.

Outstanding Durability

The retractable lanyard made of Dyneema is particularly resistant to chemical influences and weatherproof. This guarantees a long service life.





Universal Connection

The rotatable Twinadapter TA 04 is suitable for connection to every dorsal attachment point of a full body harness.

The swivel function prevents the lanyards from crossing during the application and thus prevents malfunctions when drawing in.

Parking

The extended webbing enables the retractable lanyard to be attached to the parking points of full body harnesses without tension.

Attachment without any means

The robust tube hooks are designed for direct attachment around construction parts with a diameter of <math><60\text{ mm}</math>.



Flexible according to EN 360:2002

Retractable Type Fall Arrester with Plastic or Aluminium Housings

Sturdy, low-maintenance height safety device with webbing or galvanized steel lifeline. Lightweight plastic or aluminium housing with a rotational attachment eye.

The rotational attachment eye prevents the webbing or rope from twisting.



IKAR Retractable Type Fall Arresters function in any location position and have been certified in a simulated fall trial over an edge, CNB/P/ 11.060 2008 sharp edge type A.



Order No.	Application Length	Housing	Weight	Dimensions (mm)	Carabiner (mm)		
41-HWB 1,8	1,8 m	Webbing	Aluminium	0,7 kg	237 x 78 x 60	140	IKV 11
41-HWB 2	2,0 m	Webbing	Aluminium	0,9 kg	240 x 84 x 61	140	IKV 11
41-HWB 2 X	2,5 m	Webbing	Aluminium	1,1 kg	273 x 94 x 69	280	IKV 55
41-HWB 2,8	2,8 m	Webbing	Aluminium	1,2 kg	240 x 84 x 61	140	IKV 11
41-HWB 3,5	3,5 m	Webbing	Aluminium	1,6 kg	270 x 88 x 64	140	IKV 11
41-HWPB 3,5	3,5 m	Webbing	Plastic	1,5 kg	275 x 110 x 78	140	IKV 11
41-HWPB 5,5	5,5 m	Webbing	Plastic	1,7 kg	300 x 130 x 85	140	IKV 11
41-HWPB 7	7,0 m	Webbing	Plastic	2,0 kg	300 x 141 x 84	140	IKV 11
41-HWPB 9	9,0 m	Webbing	Plastic	2,8 kg	335 x 168 x 93	140	IKV 11
41-HWPB 12	12,0 m	Webbing	Plastic	3,8 kg	370 x 195 x 95	140	IKV 11
41-HWPB 15	15,0 m	Webbing	Plastic	5,4 kg	420 x 223 x 100	140	IKV 11
41-HWS 2,5	2,5 m	Steelrope	Aluminium	1,5 kg	392 x 98 x 73	185	IKV 21
41-HWS 4,5	4,5 m	Steelrope	Aluminium	2,5 kg	385 x 128 x 80	185	IKV 21
41-HWS 6	6,0 m	Steelrope	Aluminium	3,0 kg	410 x 137 x 80	185	IKV 21
41-HWS 9	9,0 m	Steelrope	Aluminium	3,9 kg	440 x 166 x 93	185	IKV 21
41-HWS 12	12,0 m	Steelrope	Aluminium	5,3 kg	475 x 198 x 98	185	IKV 21
41-HWS 18	18,0 m	Steelrope	Aluminium	7,4 kg	540 x 220 x 97	185	IKV 21
41-HWS 24	24,0 m	Steelrope	Aluminium	9,8 kg	575 x 250 x 97	185	IKV 21
41-HWPS 3	3,0 m	Steelrope	Plastic	1,8 kg	390 x 110 x 78	185	IKV 21
41-HWPS 4,5	4,5 m	Steelrope	Plastic	2,1 kg	390 x 126 x 80	185	IKV 21
41-HWPS 6	6,0 m	Steelrope	Plastic	2,7 kg	405 x 141 x 82	185	IKV 21
41-HWPS 9	9,0 m	Steelrope	Plastic	3,5 kg	445 x 172 x 92	185	IKV 21
41-HWPS 12	12,0 m	Steelrope	Plastic	4,7 kg	480 x 197 x 98	185	IKV 21
41-HWPS 18	18,0 m	Steelrope	Plastic	6,3 kg	520 x 227 x 100	185	IKV 21
41-HWPS 24	24,0 m	Steelrope	Plastic	8,8 kg	555 x 260 x 98	185	IKV 21

Retractable Type Fall Arrester

Flexible according to EN 360:2002

Retractable Type Fall Arrester for a safe movement at your work area

Sturdy, low-maintenance, Twin Retractable Type Fall Arrester with webbing lifeline for 1 person. Allows permanent connection during movement of the user around the work area.



TA 04



TA 05



IKAR Retractable Type Fall Arresters function in any location position and have been certified in a simulated fall trial over an edge, CNB/P/ 11.060 2008 sharp edge type A.



Order No.	Application Length	Webbing	Weight	Dimensions (mm)	Carabiner (mm)	Twin
41-HWB 1,8 DW	2 x 1,8 m	Webbing	2,26 kg	290 x 155 x 60	140 IKV 11	TA 05
41-HWB 1,8 R DW	2 x 1,8 m	Webbing	3,42 kg	290 x 155 x 60	248 IKV 55	TA 05
41-HWB 2 DWG	2 x 2,5 m	Webbing	2,20 kg	425 x 170 x 67	248 IKV 55	TA 05
41-HWB 2 DWX	2 x 2,5 m	Webbing	2,20 kg	425 x 170 x 67	248 IKV 55	TA 04
41-HWB 2,8 DW	2 x 2,8 m	Webbing	2,50 kg	440 x 190 x 70	140 IKV 11	TA 05
41-HWB 2,8 R DW 55	2 x 2,8 m	Webbing	3,90 kg	603 x 190 x 70	248 IKV 55	TA 05
41-HWS 2,5 DW	2 x 2,5 m	Steelrope	3,20 kg	703 x 196 x 73	185 IKV 21	TA 05



ACB 1,8 and HWB 1,8

Retractable Type Fall Arrester tested and certified for the use in mobile elevated working platforms

according to EN 360:2002; CNB/P/ 11.060 2008 Typ A; DIN 19427:2017

The IKAR Retractable Type Fall Arrester HWB 1.8 is designed for fall protection in mobile elevated working platforms.

The Retractable Type Fall Arrester is tested and certified for the protection in mobile elevated working platforms. The lanyard is tested over a 'double' sharp edge. Innovative technology in the area of internal energy absorbers ensures a maximum arresting force of less than 3 kN at the anchorage point. The lanyard length is 1.8 m.



Application:

Arrest

Areas of use:

MEWPS, Scaffolding

Order No.	Application Length		Weight	Dimensions (mm)	Carabiner (mm)	
41-HWB 1,8	1,8 m	Webbing	0,70 kg	237 x 78 x 60	130	IKV 11
41-ACB 1,8	1,8 m	Webbing	0,96 kg	240 x 83 x 63	130	IKV 11
41-HWB 1,8 R DW 55	2 x 1,8 m	Webbing	2,26 kg	290 x 170 x 60	248	IKV 55

Retractable Type Fall Arrester

HWB 2 ME according to EN 360:2002

Adjustable Retractable Type Fall Arrester as Fall Protection and Fall Restraint System

The IKAR Retractable Type Fall Arrester HWB 2 ME has been tested and approved as a restraint system and fall protection system.

The length of use can be limited using the dial on the device. Adjustment steps of 0.25 m enable the lifeline length to be adjusted in order to adjust the Retractable Type Fall Arrester for the given application as a restraint system and to avoid a fall. The limitation of the lifeline length can only be released by pressing the push button on the adjusting wheel. The lifeline length can be set between 1.00 m and 2.50 m.

Unique aspects of the HWB 2 ME is that it combines the advantages of an IKAR height safety device with a restraint system. Classic advantage like:

- Avoids slack lifeline
- Arresting falls with minimal arrest forces and arrest distance (< 6 kN)
- Compact design

Application:

Fall Arrest, Fall Restraint, Work Positioning

Areas of use:

Industry, scaffolding

IKAR Retractable Type Fall Arrester function in any location position and have been certified in a simulated fall trial over an edge, CNB/P/ 11.060 2008 sharp edge type A.



Order No.	Application Length	Weight	Dimensions (mm)	Carabiner (mm)
41-HWB 2 ME	1 - 2,5 m Webbing	0,80 kg	237 x 78 x 85	130 IKV 11





Robusto according to EN 360:2002

Robust Retractable Type Fall Arrester



Sturdy, low-maintenance Retractable Type Fall Arrester with galvanized steel lifeline or webbing as retractable connecting element. Version with aluminium housing or plastic housing, approved for vertical and horizontal work.

IKAR Retractable Type Fall Arrester feature a very high safety standard and worldwide proven technology.



IKAR Retractable Type Fall Arrester function in any location position and have been certified in a simulated fall trial over an edge, CNB/P/ 11.060 2008 sharp edge typee A.



Order No.	Application Length		Housing	Weight	Dimensions (mm)	Carabiner (mm)	
41-H 12	12,0 m	Steelrope	Aluminium	5,9 kg	450 x 195 x 90	185	IKV 21
41-H 18	18,0 m	Steelrope	Aluminium	9,5 kg	550 x 240 x 100	185	IKV 21
41-H 24	24,0 m	Steelrope	Aluminium	13,5 kg	630 x 275 x 110	185	IKV 21
41-H 33	30,0 m	Steelrope	Aluminium	18,0 kg	640 x 320 x 120	185	IKV 21
41-H 42	40,0 m	Steelrope	Aluminium	27,2 kg	750 x 370 x 120	185	IKV 21
41-H 65	60,0 m	Steelrope	Aluminium	38,0 kg	780 x 390 x 150	185	IKV 21
41-HPS 6	6,0 m	Steelrope	Plastic	3,0 kg	430 x 150 x 91	185	IKV 21
41-HPS 12	12,0 m	Steelrope	Plastic	4,6 kg	470 x 190 x 114	185	IKV 21
41-HPS 18	18,0 m	Steelrope	Plastic	6,7 kg	540 x 225 x 96	185	IKV 21



IKAR HRA. Safe Rescue.

The HRA series of IKAR safety and rescue devices is your proven, robust and safe partner for fall protection and rescue from the depths.

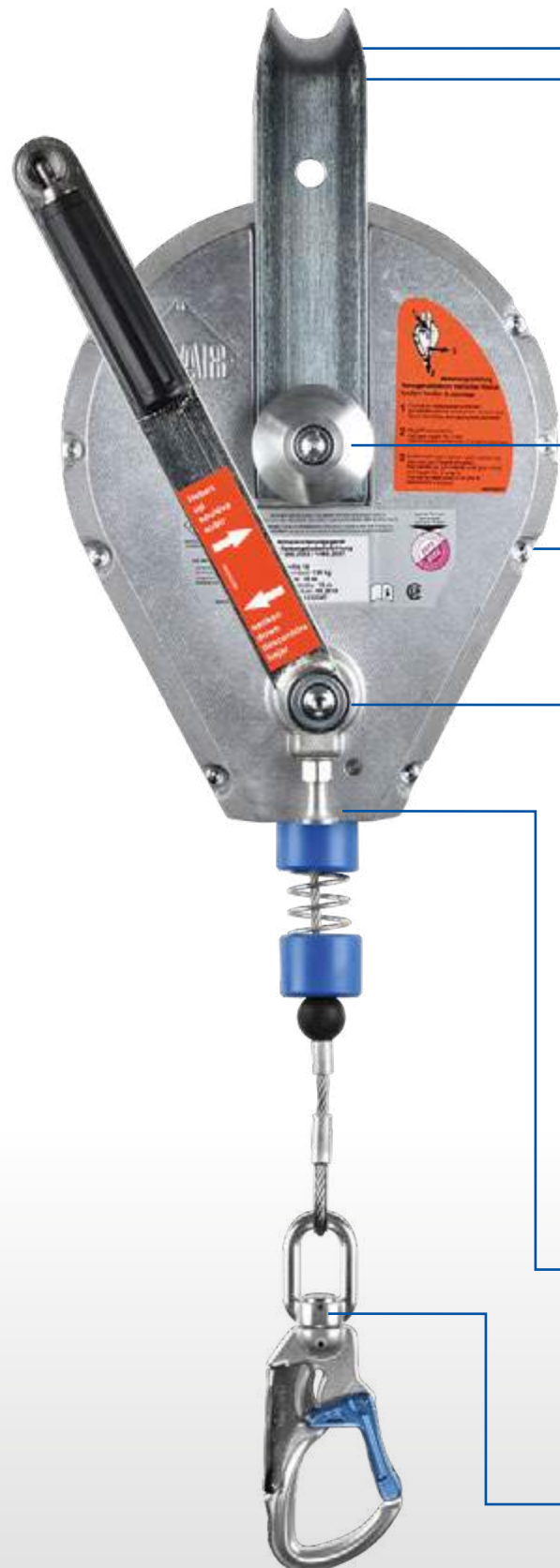
Retractable Type Fall Arrester with Rescue Hoisting Facility

One Device for Fall Protection and Rescue

IKAR height safety devices with rescue hoisting facility (typee HRA) are equipped with a winching unit. In case of a rescue after a fall this winch unit can easily be snapped-in by a second person e.g. in case of unconsciousness through gas in shafts or channels. The person who has suffered the accident can therefore be rescued quickly and safely.

The unit is completely closed and has no wearing parts. All parts are made from stainless steel, aluminium or shockproof plastic. Different lanyard lengths ensure that a suitable device is available for every application.

IKAR height safety devices with rescue hoisting facility have a very high standard of safety using technology which has proven its excellence throughout the world.



Safe connection

The robuste designed handle for the attachment point for HRA with chain wheel drives is perfect withstand harsh working environments.

Fixed Connection

The top handle and the washer position the HRA device, safely and fixed in the IKAR brackets of the IKAR anchorage devices. This ensures that the device can not turn around the vertical axis during a rescue.

Always Safe

The integrated energy absorbing function (brake) for fall protection and the additional integrated energy absorbing function (brake) in the rescue hoisting facility ensures safe rescue in every emergency situation, whether up or down.

Rescue without exertion

Option: HRA with chain wheel drive

The chain wheel drive enables a rescue of an injured person from the depths with a minimum of exertion.



Activation with one grip

The locking pin enables easy activation / locking of the rescue hoisting facility with just one grip.

Safe Application

The connecting element has a fall indicator. During the user check, the user immediately recognizes that the device is no longer operational and needs to be serviced by a competent person.

HRA according to EN 360:2002; EN 1496:2017

Retractable Type Fall Arrester with rescue hoisting facility

IKAR Retractable Type Fall Arrester with rescue hoisting facility of the HRA series, is the combination of fall protection and rescue device.

Ruboste, low-maintenance Retractable Type Fall Arrester with aluminum housing and optionally with galvanized steel cable, stainless steel cable or Para Aramid rope.



HRA Bracket

Quick-release holder for walls for the mounting of all HRA devices from 9.5 - 33



Order No.	Application Length		Weight	Dimensions (mm)	Haken (mm)	
41-HRA 12	12,0 m	Steelrope	7,0 kg	450 x 195 x 180	185	IKV 21
41-HRA 18	18,0 m	Steelrope	11,5 kg	570 x 240 x 200	185	IKV 21
41-HRA 24	24,0 m	Steelrope	15,0 kg	630 x 275 x 220	185	IKV 21
41-HRA 33	30,0 m	Steelrope	17,6 kg	640 x 315 x 230	185	IKV 21
41-HRA 42	40,0 m	Steelrope	24,7 kg	740 x 370 x 235	185	IKV 21
41-HRA 65	65,0 m	Steelrope	43,0 kg	780 x 390 x 240	185	IKV 21
41-HRA 12 E	12,0 m	VA-Rope	7,0 kg	450 x 195 x 180	185	IKV 21
41-HRA 18 E	18,0 m	VA-Rope	11,5 kg	570 x 240 x 200	185	IKV 21
41-HRA 24 E	24,0 m	VA-Rope	16,0 kg	630 x 275 x 220	185	IKV 21
41-HRA 33 E	30,0 m	VA-Rope	17,0 kg	640 x 315 x 230	185	IKV 21
41-HRA 42 E	40,0 m	VA-Rope	23,0 kg	740 x 370 x 235	185	IKV 21
41-HRA 12 V	9,0 m	para Aramid	7,0 kg	450 x 195 x 180	185	IKV 21
41-HRA 18 V	15,0 m	para Aramid	10,1 kg	570 x 240 x 200	185	IKV 21
41-HRA 24 V	20,0 m	para Aramid	14,1 kg	630 x 275 x 220	185	IKV 21
41-HRA 12 Haspel	12,0 m	Steelrope	13,0 kg	450 x 195 x 253	185	IKV 21
41-HRA 18 Haspel	18,0 m	Steelrope	17,5 kg	570 x 240 x 273	185	IKV 21
41-HRA 24 Haspel	24,0 m	Steelrope	22,0 kg	630 x 275 x 293	185	IKV 21
41-HRA 33 Haspel	30,0 m	Steelrope	23,0 kg	640 x 315 x 303	185	IKV 21
41-HRA 12 E Haspel	12,0 m	VA-Rope	13,0 kg	450 x 195 x 253	85	IKV 21
41-HRA 18 E Haspel	18,0 m	VA-Rope	17,0 kg	570 x 240 x 273	185	IKV 21
41-HRA 24 E Haspel	24,0 m	VA-Rope	22,0 kg	630 x 275 x 293	185	IKV 21
41-HRA 33 E Haspel	30,0 m	VA-Rope	23,0 kg	640 x 315 x 303	185	IKV 21
41-54/WHG V4	bracket designed to fit IKAR HRA to a wall					



Employee Safety. Easy and Simple.

Transportable anchorage devices are subject to special requirements: light construction and easy handling during assembly / dismantling and operation.



Tripods

Anchorage devices without compromise

The tripod series type DB-A not only meets the special requirements for transportable anchorage devices, but is also characterized by the high and robust quality standard of IKAR products. The ideal complement to the IKAR HRA devices.





Flexible Application Options

The locking pins enables a quick, three-way adjustable installation diameter.

Fall protection for everyone involved

The additional eyelets are for the fall protection of the security post or can be used to brace the tripod for stabilization in special applications or locations.

Compensation of differences in level

The individually telescopic legs enable the axial alignment of the anchorage device and are used for height compensation. Can be implemented quickly thanks to the fixation with Socket pin.

No stand without Safety

The foldable, non-slip rubber feet ensure that the anchorage device stands securely.



Tripod DB-A2 / DB-A2 XL

Certified as load fastening device for PPE in accordance with EN 795:2012 Type B and CEN/TS 16415:2013



- Anchorage Device DB-A2 and DB-A2 XL for 2 persons
- High functional stability
- Height adjustable to almost double
- Foldable rubber feet
- High quality and reliability
- Corrosion resistant coating
- Aluminium construction



Optional configurations:

- Personnel- and load winch PLW
- Mounting bracket for winch
- HRA Height Safety Devices up to 40 m

Optional accessoires:

- Tripod Carrying and Protection Bag



Deflection Roller for steel rope



Tripod Mounting Brackets for HRA DB-A2 / DB-A2 XL



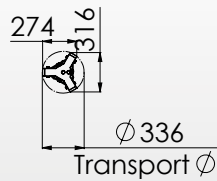
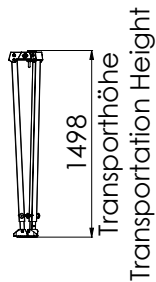
Order No.	Description	Weight
41-50	Tripod DB-A2	24,0 kg
41-50XL	Tripod DB-A2 XL	30,0 kg
41-54/9,5-30	Tripod Mounting Bracket for HRA Devices DB-A2 / DB-A2 XL	1,8 kg
41-z20	Deflection Roller for Ø 6 mm steel rope	1,1 kg

The pictures of the IKAR tripod show the optional equipment with an IKAR HRA device and a load winch. These devices are not included in the delivery.

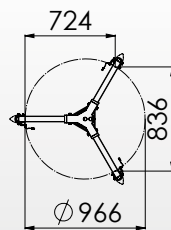
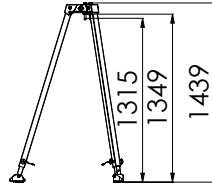
DB-A2

Dimensions

Transportstellung
Transportposition

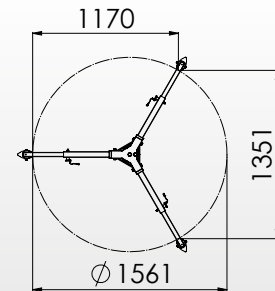
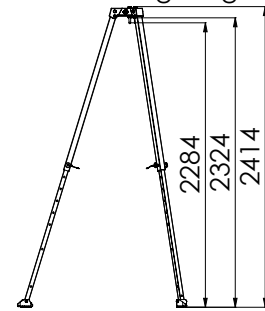


Min. Stellhöhe
Min. Setting Height



Min. Stell Ø
Min. Setting Ø

Max. Stellhöhe
Max. Setting Height



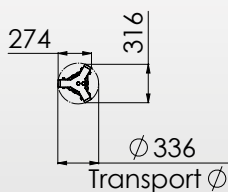
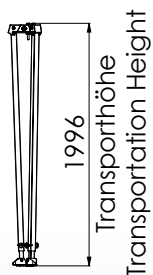
Max. Stell Ø
Max. Setting Ø



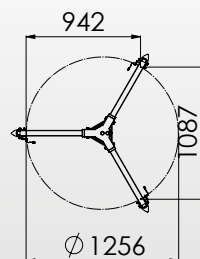
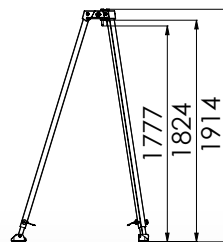
DB-A2 XL

Dimensions

Transportstellung
Transportposition

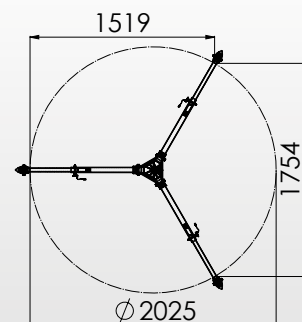
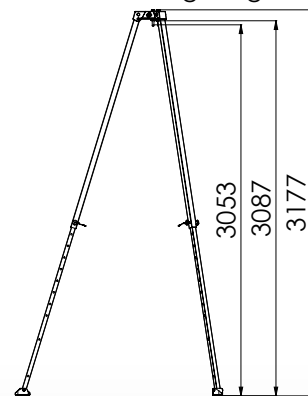


Min. Stellhöhe
Min. Setting Height



Min. Stell Ø
Min. Setting Ø

Max. Stellhöhe
Max. Setting Height



Max. Stell Ø
Max. Setting Ø





Tripod DB-A3 / DB-A3 XL

Certified as load fastening device for PPE in accordance with EN 795:2012 Type B and CEN/TS 16415:2017



- Anchorage Device DB-A3 and DB-A3 XL for 2 persons
- High functional stability
- Height adjustable to almost double
- 3-way height adjustable
- Integral pulleys in the head of the tripod, at the top of each leg
- Foldable rubber feet
- High quality and reliability
- Corrosion resistant coating
- Aluminium construction



Optional configurations:

- Personnel- and load winch PLW
- Mounting bracket for winch
- HRA Height Safety Devices up to 40 m



Optional accessoires:

- Tripod Carrying and Protection Bag



Tripod Mounting Brackets for HRA DB-A3 / DB-A3 XL



Order No.	Description	Weight
41-49	Tripod DB-A3	24,0 kg
41-49XL	Tripod DB-A3 XL	30,0 kg
41-54/12-42A3	Tripod Mounting Bracket for HRA Devices DB-A3 / DB-A3 XL	1,8 kg

The pictures of the IKAR tripod show the optional equipment with an IKAR HRA device and a load winch. These devices are not included in the delivery.

DB-A3

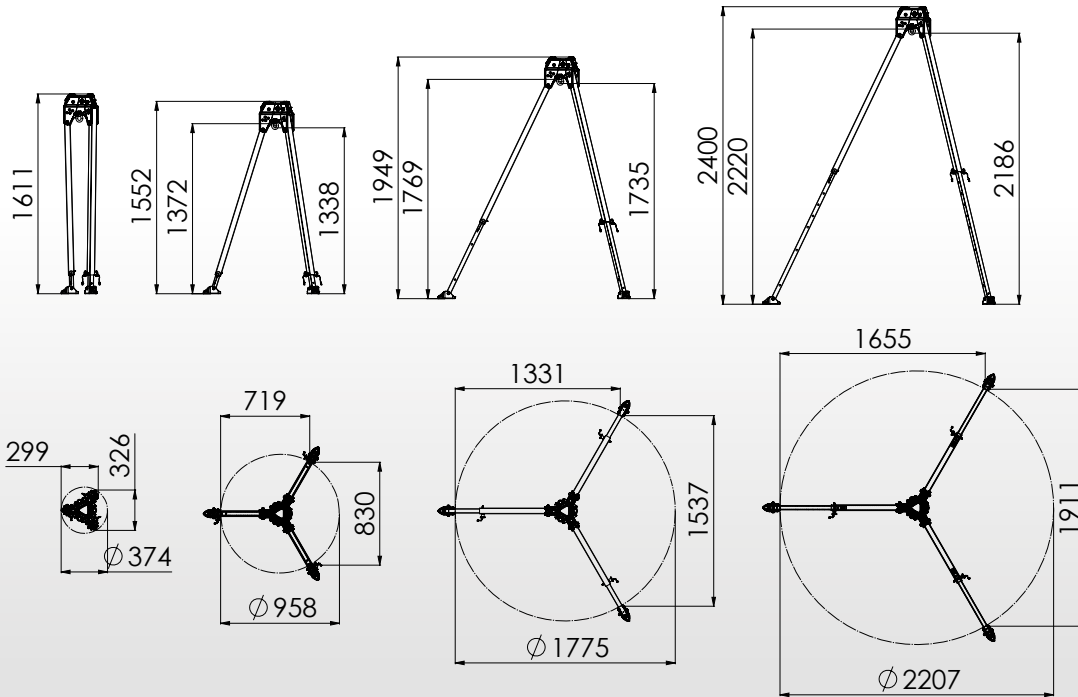
Dimensions

Transportstellung
Transportposition

Stellung 2
Position 2

Stellung 3
Position 3

Stellung 3 max.
Position 3 max.



DB-A3 XL

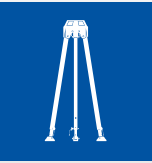
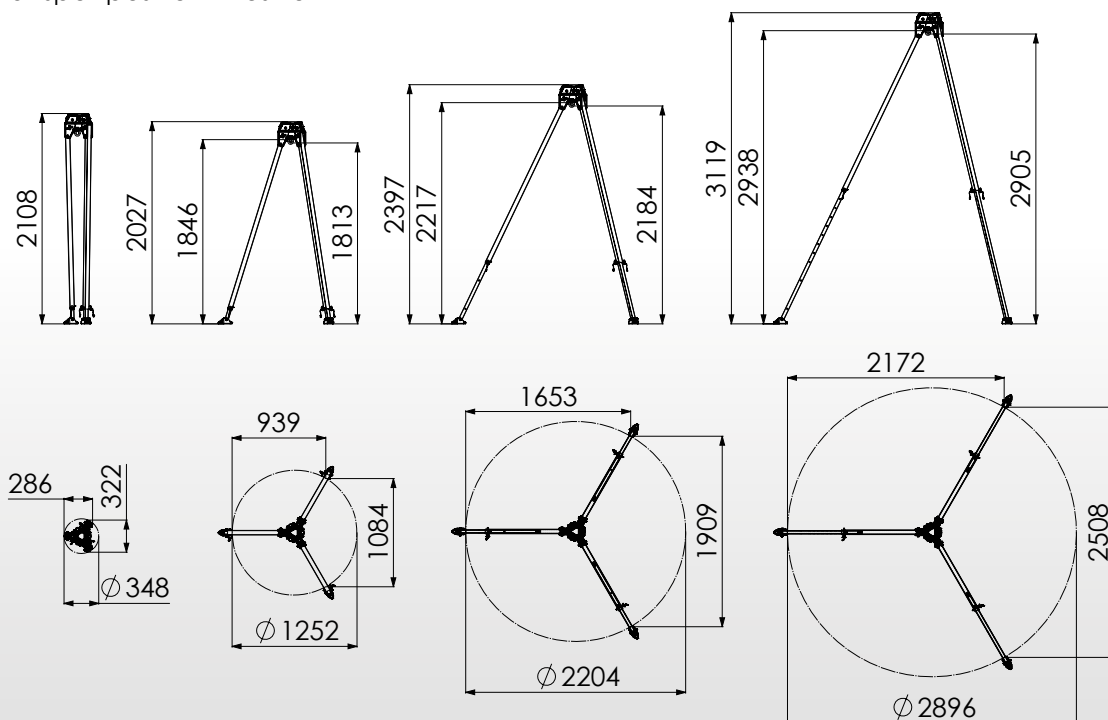
Dimensions

Transportstellung
Transportposition

Stellung 2
Position 2

Stellung 3
Position 3

Stellung 3 max.
Position 3 max.





Tripod DB-A3R

Certified as load fastening device for PPE in accordance with EN 795:2012 Type B and CEN/TS 16415:2017



- Anchorage Device DB-A3R for 2 persons
- High functional stability, quality and reliability
- Height adjustable to almost double
- Integral pulleys in the head of the tripod, at the top of each leg
- Wheels with brakes
- Aluminium construction and Corrosion resistant coating
- Crossing beam for stability



Optional configurations:

- Personnel and load winch PLW, nominal load 300 kg
- Mounting bracket for winch
- HRA Height Safety Devices up to 40 m

Optional accessoires:

- Tripod Carrying and Protection Bag



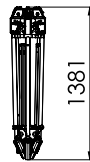
Tripod Mounting Brackets for HRA DB-A3R



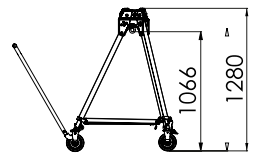
DB-A3R

Dimensions

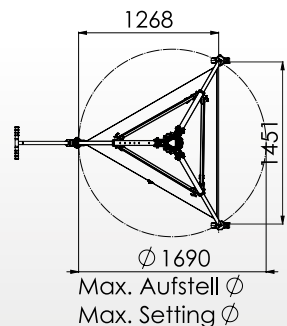
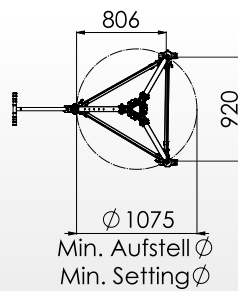
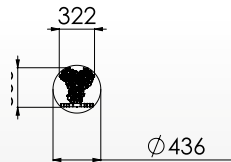
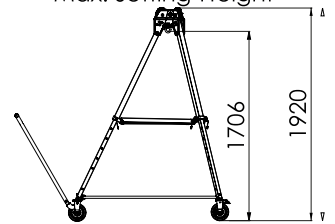
transportstellung
transportposition



Min. Stellhöhe
Min. Setting Height



Max. Stellhöhe
Max. Setting Height



Order No.	Description	Weight
41-52	Tripod DB-A3R	25,0 kg
41-54/12-42A3	Tripod Mounting Bracket for HRA Device DB-A3R	1,8 kg

The pictures of the IKAR tripods show the optional equipment with an IKAR HRA device and a load winch. These devices are not included in the delivery.



Complexity and efficiency of use.

The IKAR Cantilever range is a newly developed, alternative system for confined space applications.

Cantilever Arms

Fall Protection and Rescue without Safety issues

Manufactured of high grade stainless steel (V4A) and certified to EN 795: 2012 and CEN / TS 16415. The cantilever range is rated for fall protection and rescue of up to 3 persons at any time. The IKAR Cantilever range is compatible with and compliments the HRA range.

Concepts without safety issues

The Attachment point for the 2nd persons ensures the safety of the security post while a user enters protected with the HRA. In an emergency the rescue function of the HRA ensures a quick rescue without the need for a rescuer to enter.

Fall Protection and Rescue

The HRA protects the user against fall while entering the confined space. In an emergency the quick rescue is ensured by the security post.

Stability

The mounting point for the sleeves ensures solid stability. The integrated bearing enables the Cantilever arm to be turned without great effort under load.

Variability

The height adjustment allows the boom to be installed at different locations.

Stability without Compromise

Proofload: 13,6 kN

Multi Complex

Anchorage Device for 3 persons.

**Proofload:
12 kN in the direction of load**





Cantilever Arm ASS-1

Certified as an anchorage device for PPE in accordance with EN 795:2012 Type B and CEN/TS 16415:2017



- Especially developed for stationary use in safety and rescue cases for two persons as well as for lifting and lowering loads
- Variable fastenings via ground sleeve, wall sleeve and mobile sleeve
- Removable extension arm, adjustable height
- Suitable for fast relocation
- Can be used with HRA rescue devices
- V4A stainless steel design
- Stable thanks to solid construction, high quality
- Can be equipped with accessories
- Front anchorage point tested for 16 kN

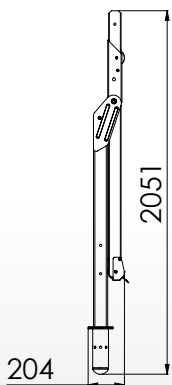


Optional equipment:

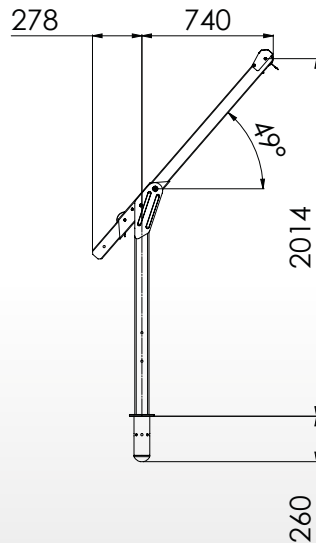
- HRA fall protection winch
- PLW personnel and load winch



Transportstellung
Transportposition



Arbeitsstellung
Workingposition



Order No.	Description	Version	Weight
41-71	Cantilever arm ASS-1 without sleeve	V4A-stainless steel	36,0 kg

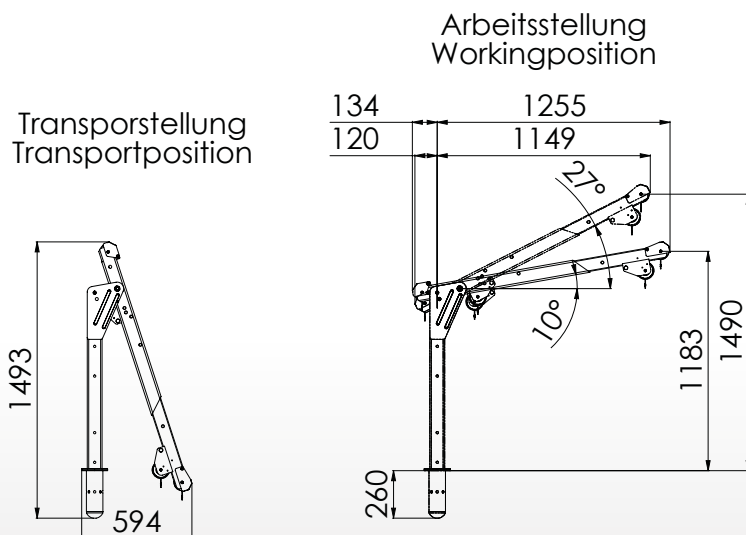
Cantilever Arm ASS-2

Certified as an anchorage device for PPE in accordance with EN 795:2012 Type B and CEN/TS 16415:2017

- Especially developed for stationary use in safety and rescue cases for two persons as well as for lifting and lowering loads
- Variable fastenings via ground sleeve
- Removable extension arm, adjustable height
- Suitable for fast relocation
- Can be used with HRA rescue devices
- V4A stainless steel design
- Stable thanks to solid construction, high quality
- Can be equipped with accessories

Optional equipment:

- HRA fall protection winch
- PLW personnel and load winch



Order No.	Description	Version	Weight
41-72	Cantilever arm ASS-1 with ground sleeve	V4A-stainless steel	39,0 kg





Cantilever Arm ASS-3

Certified as an anchorage device for PPE in accordance with EN 795:2012 Type B and CEN/TS 16415:2017

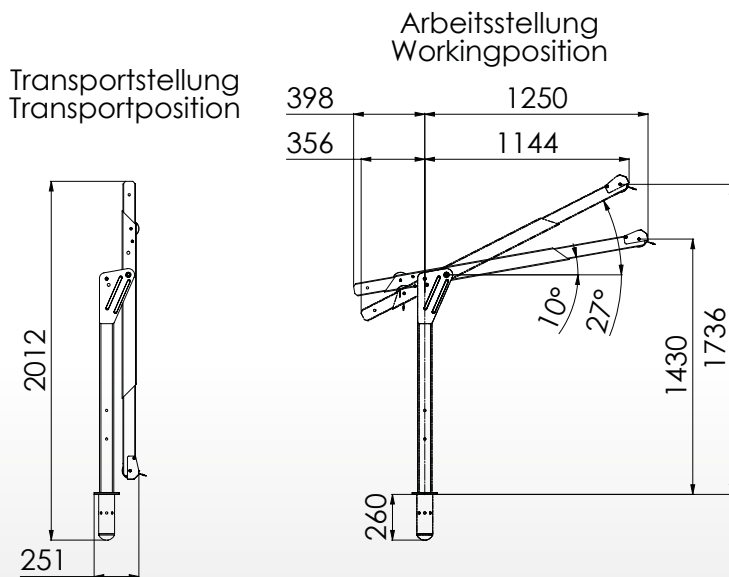


- Especially developed for stationary use in safety and rescue cases for three persons as well as for lifting and lowering loads
- Variable fastenings via ground sleeve
- Removable extension arm, adjustable height
- Suitable for fast relocation
- Can be used with HRA rescue devices
- V4A stainless steel design
- Stable thanks to solid construction, high quality
- Can be equipped with accessories



Optional equipment:

- HRA fall protection winch
- PLW personnel and load winch



Order No.	Description	Version	Weight
41-73	Cantilever arm ASS-3 without sleeve	V4A-stainless steel	39,0 kg

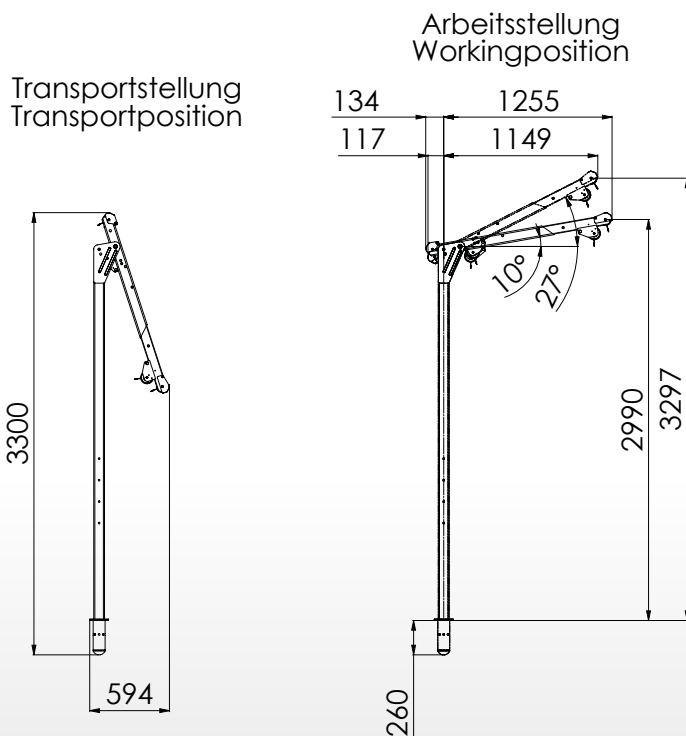
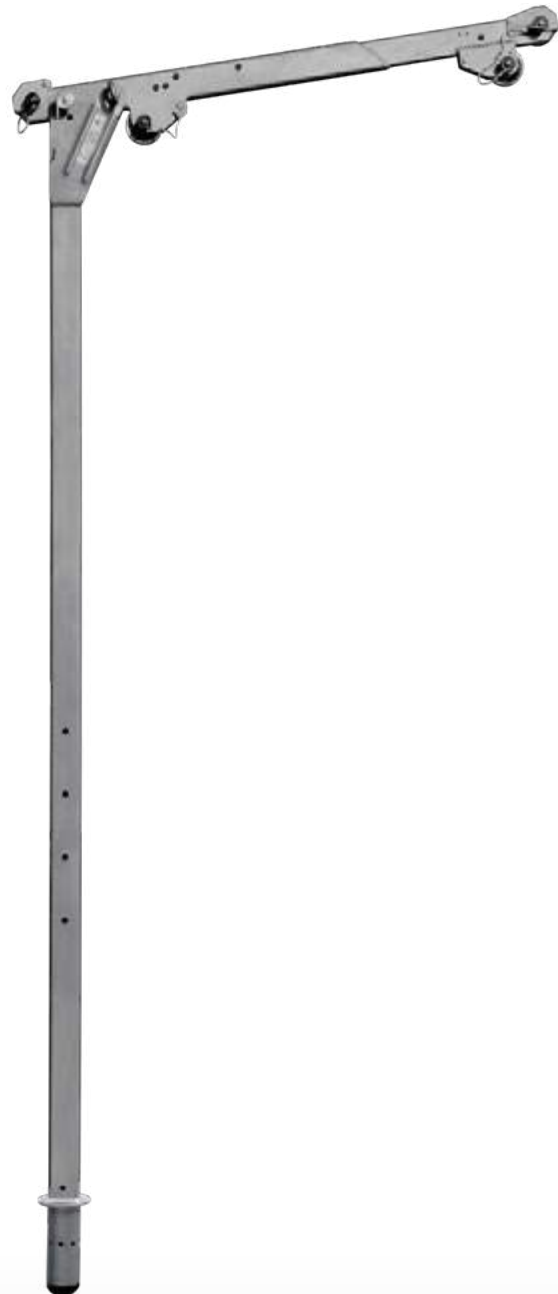
Cantilever Arm ASS-4

Certified as an anchorage device for PPE in accordance with EN 795:2012 Type B and CEN/TS 16415:2017

- Especially developed for stationary use in safety and rescue cases for two persons as well as for lifting and lowering loads
- Variable fastenings via ground sleeve
- Removable extension arm, adjustable height
- Suitable for fast relocation
- Can be used with HRA rescue devices
- V4A stainless steel design
- Stable thanks to solid construction, high quality
- Can be equipped with accessories

Optional equipment:

- HRA fall protection winch
- PLW personnel and load winch



Order No.	Description	Version	Weight
41-74	Cantilever arm ASS-4 without sleeve	V4A-stainless steel	65,0 kg





Cantilever Arm AASS-M

Certified as an anchorage device for PPE in accordance with EN 795:2012 Type B and CEN/TS 16415:2013



The IKAR cantilever arm has been especially developed for the use with IKAR height safety devices with rescue hoisting facility typee HRA.



This cantilever arm can be ordered with a flange mounting.



- Especially developed for stationary use in safety and rescue cases for two persons as well as for lifting and lowering loads
- Removable extension arm
- Suitable for fast relocation
- Can be used with HRA rescue devices
- V4A stainless steel design
- Stable thanks to solid construction, high quality
- Can be equipped with an IKAR rescue slide, with a curved slide body and central rope guide



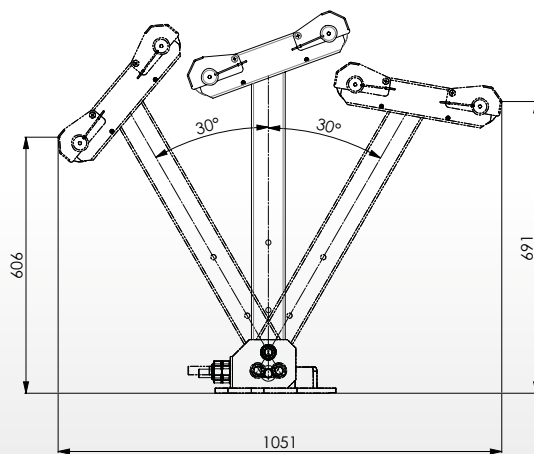
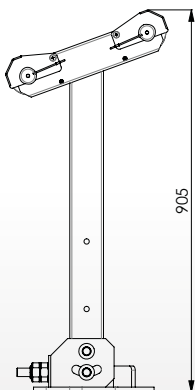
Optional equipment:

- HRA fall protection winch
- PLW personnel and load winch
- IKAR rescue slide



Grundstellung
Basic Position

Verstellbereich
Setting Range



screw connection
for Cantilever Arm AASS-M

Order No.	Description	Version	Weight
41-58V4a	Cantilever arm AASS-MW	V4A-stainless steel	25,0 kg
41-55/1	Rescue slide AASS-M	Aluminium	11,0 kg

Brackets

for winches and HRA devices

Winch bracket, upper arm
for ASS-1 / ASS-3



HRA bracket, lower arm
for ASS-1 / ASS-3



HRA bracket, upper arm
for ASS-1 / ASS-3



Winch bracket, lower arm
for ASS-1 / ASS-3



Order No.	Description	Version	Position	Weight
41-54/AWSV4	Bracket for IKAR load winch, 300 kg/PLW	V4A-stainless steel	upper arm	1,0 kg
41-54/A9,5-24V4	Bracket for HRA Devices 9,5 - 24	V4A-stainless steel	lower arm	3,5 kg
41-54/A33-42V4	Bracket for HRA Devices 33 - 42	V4A-stainless steel	lower arm	5,0 kg
41-54/A50-65V4	Bracket for HRA Devices 50 - 65	V4A-stainless steel	lower arm	6,0 kg
41-54/AL 9,5-24V4	Bracket for HRA Devices 9,5 - 24	V4A-stainless steel	upper arm	4,5 kg
41-54/AL 33-42V4	Bracket for HRA Devices 33 - 42	V4A-stainless steel	upper arm	6,0 kg
41-54/AL 50-65V4	Bracket for HRA Devices 50 - 65	V4A-stainless steel	upper arm	7,0 kg
41-54/HLW1-4	Bracket for IKAR load winch, 300 kg/PLW	V4A-stainless steel	lower arm	2,2 kg

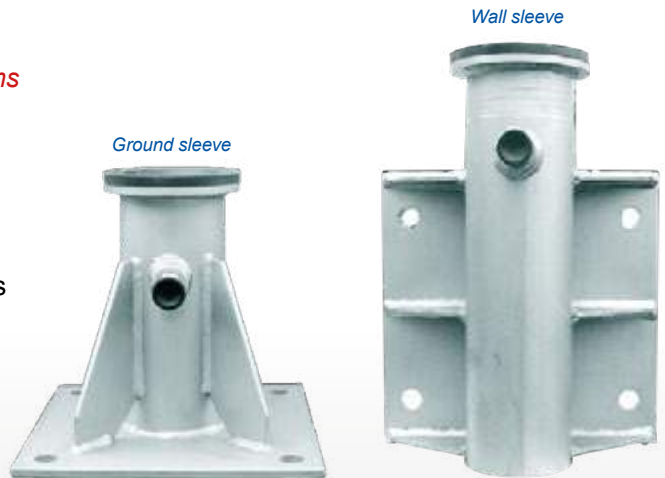


Ground Sleeve / Wall Sleeve WH

for type AASS 1-4 /ASS 1-4 - according to EN 795 type A: 2012 and CEN/TS 16415:2017

Component of the attachment devices Cantilever arms type AASS 1 / ASS 1

- Rotary bearing made of resistant PA (polyamide)
- Locking bolts for fixing the boom arm position
- Can be mounted on existing concrete components using recommended injection anchoring system



Order No.	Description	Version	Weight
41-57/1V4	Ground sleeve without fixing material*	V4A-stainless steel	12,0 kg
41-57/2V4	Wall sleeve*	V4A-stainless steel	15,0 kg
41-57/2-50V4	Wall sleeve + 50 mm AASS/ASS*	V4A-stainless steel	17,0 kg
41-57/2-80V4	Wall sleeve + 80 mm AASS/ASS*	V4A-stainless steel	18,2 kg
41-57/7	Cover cap incl. Key for Cover cap	Plastic	0,5 kg
41-57/9a	Fixing set		

* without fixing material



Lower Ground Sleeve Core Hole

for type AASS 1-4 /ASS 1-4 - according to EN 795 type A: 2012 and CEN/TS 16415:2017

Component of the attachment devices Cantilever arms type AASS 1 / ASS 1

- Retractable floor sleeve as retrofit in concrete floors, fix using special concrete potting compound
- Material made of Stainless steel (V4A)
- 3/8" drain pipe connection
- Can be used to Ø 120 mm / Ø 160 mm Core hole stepped bore
- Rotary bearing made of resistant PA (polyamide)
- Clamp-proof, dust- and splash-proof protective cover
- Including cap
- No fixing set needed



Order No.	Description	Version	Weight
41-57/5wV4	Lower Ground Sleeve Core Hold*	V4A-stainless steel	12,0 kg

* Remark: incl. dustproof cover flap

Mobil Sleeve Compact (Spider)

according to EN 795:2012 Typ A und CEN/TS 16415:2017

Component of the attachment devices Cantilever arms type AASS 1 / ASS 1

- Specially designed for mobile use in backup and backup rescue case
- Designed for entry and rescue from small rooms approved for 2 persons
- Swiveling and adjustable in the event of a lack of head freedom
- The swivel range of the cantilever arm is 360° with one maximum load of 300 kg



Order No.	Description	Version	Weight
41-67	mobile Cantilever system compact	V4A-stainless steel	106,0 kg



Mobil Clamping Sleeve

according to EN 795:2012 Typ A und CEN/TS 16415:2017

Component of the attachment devices Cantilever arms type AASS 1 / ASS 1

- Designed for container edges or walls where frequent installation over different wall thicknesses is necessary
- Clamping width variable from 200 - 400 mm
- Ideal for work areas where frequent assembly and dismantling is required
- Approved for 2 persons
- The swivel range of the cantilever arm is 360° with one maximum load of 300 kg



Order No.	Description	Version	Weight
41-69	Mobil Clamping Sleeve	V4A-stainless steel	35,0 kg

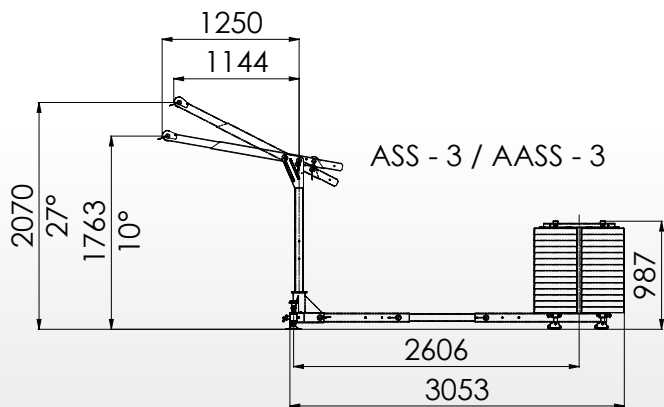
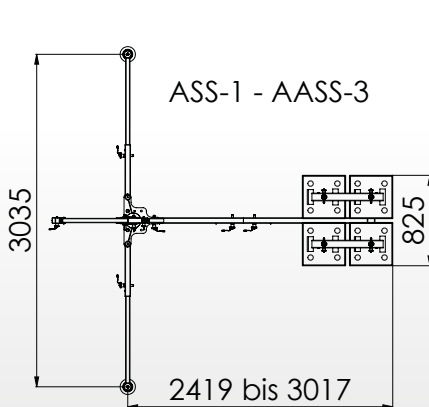
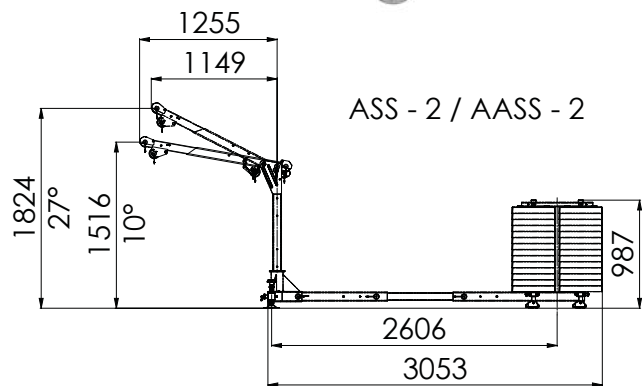
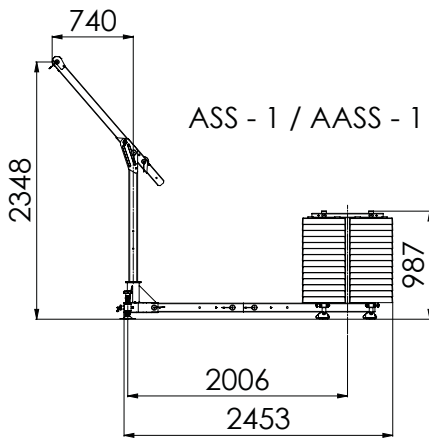
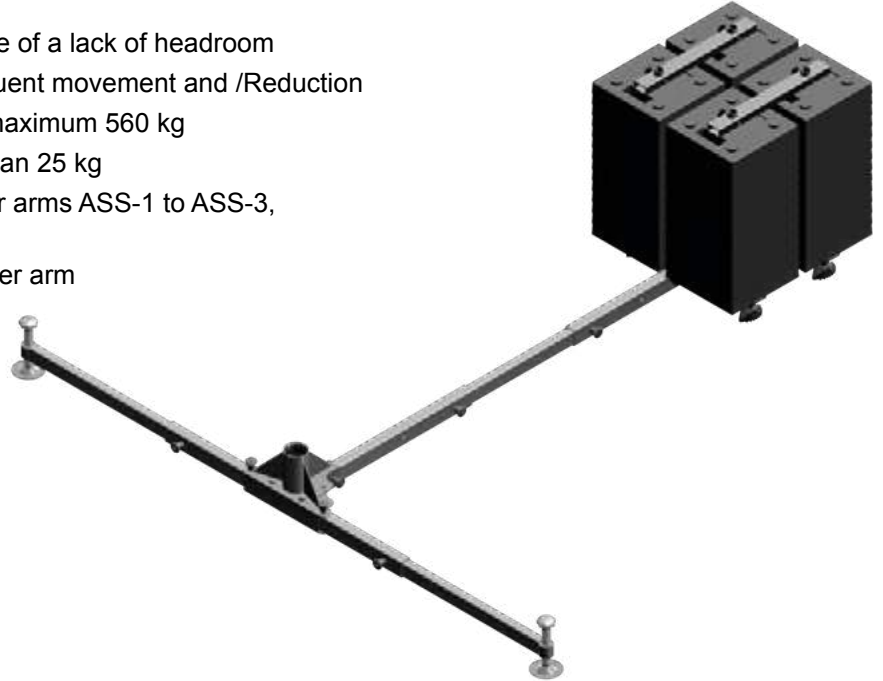




Counterweight Sleeve

for IKAR Cantilever arms as a complete system according to EN 795:2012 Typ B and CEN/TS 16415:2017

- Approved for 2 persons
- Swiveling and adjustable in case of a lack of headroom
- Ideal for work areas where frequent movement and /Reduction
- Min. required counterweights: maximum 560 kg
- No single component heavier than 25 kg
- Compatible with IKAR cantilever arms ASS-1 to ASS-3, AASS-1 to AASS-3
- The swivel range of the cantilever arm is 360° with one maximum load of 300 kg



Order No.	Description	Version	Weight
41-68	Counterweight Sleeve for cantilever arms 1-3	V4A-stainless steel	136,0 kg



Entry Procedure without the risk of a fall.

With the approved complete machine, driving over ladders or step irons with the resulting risk of falling and injury is a thing of the past.



Personnel and Load Winch

according to RL 2006/42/EG and EN 1808:2015 certified



The PLW winch is a parting machine and component for lifting and lowering people and loads of the approved HPL complete machine for the access procedure without crashing in shafts, ducts and narrow spaces of sewage systems or industrial containers. It is therefore a thing of the past to travel by means of a cableway or crampons with the resultant risk of crashes and of injuries. The PLW can also be combined with existing IKAR thumbs, booms arms and HRA devices of the new generation to complete our machine type HPL according to RL 2006/42 / EG.

IKAR Personnel and Load Winch

- Hand crank cable winch for easy and jerk-free lifting and lowering of persons and goods
- Maximum nominal load: 300 kg
- Stainless steel rope with Ø 6 mm (minimum breaking force 18,76 kN)
- Cable length max. 30 m
- Crank length 250 mm
- Compatible with IKAR - tripods and catilever arms

Order No.	Cable Length	Weight	Nominal Load	Dimensions (mm)
41-PLW	max. 30 m	18,5 kg	300 kg	230 x 336 x 200

Lifting Device for persons and loads (HPL)

according to RL 2006/42/EG and EN 1808:2015 certified



The lifting device for persons and loads of type IKAR HPL consists of a suspension construction in the form of a mobile aluminium tripod or a stainless steel cantilever arm. The IKAR PLW winch, as well as the IKAR HRA safety device, is attached to the special mounting points of the suspension structures by means of a quick-change bracket.

Lifting Devices for persons and loads (HPL) with

- Suspension structure IKAR tripods or suspension design IKAR cantilever arms
- PLW personnel and load winch
- Rescue device IKAR HRA devices
- Harnesses IK G 4

Application:

Entry through shafts, canals, narrow spaces

Areas of use:

Sewage engineering and container entry





Lifting Device for Loads (HL)

according to RL 2006/42/EG



The lifting device for loads of type IKAR HL consists of a suspension construction in the form of a mobile aluminum tripod or a stainless steel cantilever arm of type IKAR ASS and AASS. The IKAR load winch, 300 kg winch is attached to the special mounting points of the suspension structures by means of a quick-change bracket.



Lifting Device for Loads with

- Suspension structure IKAR Tripods or suspension construction for IKAR cantilever arms
- Load winch IKAR load winch, 300 kg



Application:

When entry in and boarding through shafts, canals, narrow spaces

Areas of use:

Sewage engineering and container entry



Tripod Mounting Bracket

for load winch IKAR load winch, 300 kg

For quick mounting and removal of the winch to any IKAR tripod

- Aluminium construction
- Max. Load: 300 kg
- Bracket is fixed to the tripod
- Including Fixing Material



Order No.	Description	Material	Weight
41-54a/DWS	Tripod Mounting Bracket	Aluminium	1,0 kg

IKAR load winch, 300 kg

- The hand-crank rope winch is particularly suitable for easy and jolt-free lifting and lowering of diverse loads
- Maximum nominal load is 300 kg
- Galvanized steel rope, rope length max. 20 m at Ø 6 mm



Order No.	Description	Material	Weight
41-IKLW 300	IKAR load winch, 300 kg	Galvanized steel	7,0 kg





Cantilever Arm bracket

for IKAR PLW

For quick mounting and removal of the winch to any IKAR Cantilever Arm (Upper Arm).

- Aluminium construction
- Max. Load: 300 kg
- Winch will be fixed to the bracket
- Including Fixing Material



Order No.	Description	Material	Position	Weight
41-54/AWSV4	Winch bracket	V4A-stainless steel	upper arm	1,0 kg



Tripod Mounting Bracket


for IKAR PLW

For quick mounting and removal of the winch to any IKAR tripod.

- Aluminium construction
- Max. Load: 300 kg
- Bracket is fixed to the tripod
- Including Fixing Material



Order No.	Description	Material	Weight
41-54a/DWS	Tripod Mounting Bracket	Aluminium	1,0 kg



Exemplary performance relieves the employee.

IKAR Controlled Descent Devices are the ideal partner for actively rescuing 2 people or for evacuating several people and for training.



Controlled Descent Devices

Descent and Rescue Technique for your Safety

In the evaluation and selection of suitable rescue / descent devices not only the single emergency, but also the safe training of the users should be taken into account. The IKAR Descent Device range offers a variety of devices tested and certified according to international standards (EN 341:2011 Class 1A and Class 1B; EN 1496:2006; ANSI/ASSE Z359.4-2013).

Automatic Safety

The centrifugal brake system automatically regulates the descent speed to 1.2 m/s.

Stability

The IKAR kernmantle rope KMS 105 is specially designed to meet the requirements of the IKAR centrifugal force-controlled rescue technology.





Application Safety

The ball-bearing swivel enables the device to be rotated easily, even under load.

Easy Lifting without reverse

Lifting Version with Wheel:

The lifting of injured person with the hand wheel with a transmission ratio of 1:10 can be done effortlessly.

The switchable reverse lock prevents the person from running back to the starting point of the lifting action when the handwheel is released.



Safe Lifting

Speedlift:

If the user let go of the safety ratchet handles the connection to load application is immediately disconnected.

(No touch, no function)
This prevents the safety ratchets handles from kicking back.



Rescue without effort

Powerlift:

The AKKU drive for lifting heights of up to 200 m guarantees that casualties can be lifted without any exhaustion.





Controlled Descent Device Favorit

ABS 3a W and ABS 3a WH

according to EN 341:2011/1A bzw. 1B; EN 1496:2017/A; ANSI/ASSE Z359.4-2013

Developed for the rescue of 1- 2 persons simultaneously. The outstanding brake system eases the pressure on the brakes and the abrasion on the lanyard.



The controlled descent devices ABS 3a WH with rescue hoisting facility utilises an integrated lifting facility with switchable reverse lock and is therefore the ideal device for self-rescue or the third party rescue of persons suspended in their personal fall protection equipment following an arrested fall.



Standard	ABS 3a W		ABS 3a WH	
	EN 341:2011/1A ANSI/ASSE Z359.4-2013	EN 341:2011/1B	EN 341:2011/1A EN 1496:2017/A ANSI/ASSE Z359.4-2013	EN 341:2011/1B EN 1496:2017/A
Nominal load	140 kg	200 kg	140 kg	200 kg
Descent metres	5.600	800	5.600	800
Minimum load	50 kg	50 kg	50 kg	50 kg
Descent metres	15.200	15.200	15.200	15.200
Lifting nominal load	--	--	140 kg	200 kg
Nominal load ANSI/ASSE	141 kg	--	141 kg	--
Minimum load ANSI/ASSE	59 kg	--	59 kg	--
Static proofload	20 kN	20 kN	20 kN	20 kN
Persons	1	2	1	2
Descentspeed	1,5 m/s	1,5 m/s	1,5 m/s	1,5 m/s
max. lifting performance	--	--	200 m	200 m

Order No.	Suspension	Weight	Dimensions (mm)	Function
42-ABS 3a W 2P	Swivel	1,2 kg	160 x 90 x 70	Descending
42-ABS 3a WH 2P	Swivel	1,9 kg	200 x 200 x 120	Descending

Order No.	Dimension	Weight	Rope Suspension	Function
KMS 105-X	Ø 10,5 mm	70 g/m	till 20 m, carabiner on both sides	Lowering descending
KMS 105	Ø 10,5 mm	70 g/m	Additionally per metre	Lowering descending

Controlled Descent Device Favorit

ABS 3a WH Speedlift and Powerlift

according to EN 341:2011/1A bzw. 1B; EN 1496:2017/A

ABS 3a WH SpeedLift

SpeedLift stands for innovation, speed and first of all for safety. The ABS 3a WH SpeedLift allows a fast lifting of 2 persons due to its gear ratio of 1:1. The ABS 3a WH is equipped with the safety ratchet handles. The “No touch No function” mechanism gives the user a high control of the activation or deactivation of the lifting function. The ABS 3a WH is equipped with the safety ratchet handles. The “No touch No function” mechanism gives the user a high control of the activation or deactivation of the lifting function.

- Deviation points on the housing of the device
- Swivel with ball-bearing
- Switchable reverse lock
- Lowering rope KMS 105 EN 1891:1991 A



ABS 3a WH PowerLift

The combination of our powerful Descent device ABS 3a WH and the battery-operated driver with an 8.0 Ah battery, allows a maximum lifting capacity of 200 m. The connection between the battery-operated driver and the ABS 3a WH PowerLift is given by a magnetic connection which ensure the maximum safety if the user.

- Driver with two batteries
- Charger, torque multiplier, grip
- One battery for max. 107 m hoist
- Lifting speed freely selectable
- Lowering rope KMS 105 EN 1891:1991 A



Order No.	Suspension	Weight	Dimensions (mm)	Function
42-ABS 3a WH SpeedLift	Swivel	3,3 kg	495 x 140 x 120	Descending / Lifting
42-ABS 3a WH PowerLift	Swivel	2,1 kg	220 x 200 x 120	Descending / Lifting
Battery operated driver	Hexagon nuts	3,0 kg	-	Drive

Order No.	Dimension	Weight	Rope Suspension	Function
KMS 105-X	Ø 10,5 mm	70 g/m	till 20 m, carabiner on both sides	Lowering descending
KMS 105	Ø 10,5 mm	70 g/m	Additionally per metre	Lowering descending



Controlled Descent Device Bison

ABS 4 W and ABS 4 WH

according to EN 341:2011/1A; EN 1496:2017/A; ANSI/ASSE Z359.4-2013

The Controlled Descent Device Bison ABS 4 W is the revolution in the field of performance and quality of the worldwide valid, current technical safety standards for rescue technology with automatic speed regulation.

During the entire descent process the centrifugal brake keeps the device at a constant speed. With the help of the new deviation point on the device the descent speed can be regulated.

The ABS 4 WH is the ideal device for the selfrescue of 2 persons / multiple evacuations or for training measures.



The ABS 4 WH utilises an integrated lifting facility with switchable reverse lock and is therefore the ideal device for self-rescue or the third party rescue of persons suspended in their personal fall protection equipment following an arrested fall.

	ABS 4 W	ABS 4 WH
Standard	EN 341:2011/1A ANSI/ASSE Z359.4-2013	EN 341:2011/1A EN 1496:2017/A ANSI/ASSE Z359.4-2013
Nominal load	200 kg	200 kg
Descent metres	3.800	3.800
Minimum load	50 kg	50 kg
Descent metres	11.000	11.000
Lifting nominal load	--	200 kg
Nominal load ANSI/ASSE	282 kg	282 kg
Minimum load ANSI/ASSE	59 kg	59 kg
Static proofload	20 kN	20 kN
Persons	2	2
Descentspeed	1,5 m/s	1,5 m/s
max. lifting performance	--	200 m

Order No.	Suspension	Weight	Dimensions (mm)	Function
42-ABS 4 W	Swivel	1,7 kg	250 x 97 x 79	Descending
42-ABS 4 WH	Swivel	3,2 kg	250 x 200 x 128	Descending / Lifting

Order No.	Dimension	Weight	Rope Suspension	Function
KMS 105-X	Ø 10,5 mm	70 g/m	till 20 m, carabiner on both sides	Lowering descending
KMS 105	Ø 10,5 mm	70 g/m	Additionally per metre	Lowering descending

Controlled Descent Device Bison

ABS 4 WH Speedlift and Powerlift

according to EN 341:2011/1A; EN 1496:2017/A

ABS 4 WH SpeedLift

SpeedLift stands for innovation, speed and first of all for safety. The ABS 4 WH SpeedLift allows a fast lifting of 2 persons due to its gear ratio of 1:1. The “No touch No function” mechanism gives the user a high control of the activation or deactivation of the lifting function. The new ratchet handles of the IKAR ABS 4 WH SpeedLift is the best choice for the users.

- Deviation points on the housing of the device
- Swivel with ball-bearing
- Switchable reverse lock
- Lowering rope KMS 105 EN 1891:1991 A



ABS 4 WH PowerLift

The combination of our powerful Descent device ABS 4 WH and the battery-operated driver with an 8.0 Ah battery, allows a maximum lifting capacity of 200 m. The connection between the battery-operated driver and the ABS 4 WH PowerLift is given by a magnetic connection which ensure the maximum safety if the user.

- Driver with two batteries
- Charger, torque multiplier, grip
- One battery for max. 107 m hoist
- Lifting speed freely selectable
- Lowering rope KMS 105 EN 1891:1991 A



Order No.	Suspension	Weight	Dimensions (mm)	Function
42-ABS 4 WH SpeedLift	Swivel	3,7 kg	495 x 140 x 120	Descending / Lifting
42-ABS 4 WH PowerLift	Swivel	3,2 kg	200 x 200 x 120	Descending / Lifting
Battery operated driver	Hexagon nuts	3,0 kg	-	Drive

Order No.	Dimension	Weight	Rope Suspension	Function
KMS 105-X	Ø 10,5 mm	70 g/m	till 20 m, carabiner on both sides	Lowering descending
KMS 105	Ø 10,5 mm	70 g/m	Additionally per metre	Lowering descending





HAS

Fall Arrester with automatic controlled descent

according to EN 341:2011/1C; EN 360:2002



The IKAR HAS auto-controlled descent device range is designed for the fall protection of persons working at height where a third party rescue is not possible or an escape rescue becomes necessary (danger due to fire or explosion).



During normal use the user can move freely within the working area without having to work against a brake resistance. In case of a fall the user is safely descended at a controlled speed.



When the fall indicator on the connector is visible this indicates that the device has been used in a controlled descent and needs to be returned to an IKAR service agent to be serviced.



- Nominal load: 136 kg
- Proof load EN 341: 170 kg
- 0,5 m/s max. descent speed
- Certified for 1 person
- Aluminium housing
- Ø 4,8 mm Steelrope
- 185 mm carabiner hook (IKV 21)



Application:
Arrest, rescue

Areas of use:
Industry

Order No.	Application Length	Weight	Nominal Load	Dimensions (mm)
42-HAS 9	9,00 m Steelrope	5,0 kg	136 kg	455 x 160 x 120
42-HAS 18	18,00 m Steelrope	11,0 kg	136 kg	580 x 232 x 135
42-HAS 30	30,00 m Steelrope	17,0 kg	136 kg	610 x 280 x 140
42-HAS 9 E	9,00 m VA-Rope	5,0 kg	136 kg	455 x 160 x 120
42-HAS 18 E	18,00 m VA-Rope	11,0 kg	136 kg	580 x 232 x 135

Vacuum Packaging System for IKAR rescue and evacuation systems ABS 3 / ABS 4

Complete long-term storage and transport packaging of the rescue and evacuation systems prepared for ABS 3a WH/W or ABS 4 WH/W with necessary accessories.

- A choice of a High Quality Hard Case, Water-resistant Bag or Aluminium case is available
- Contents are packaged in the vacuum packed aluminium foil bag with an integrated humidity indicator and are therefore extremely long-term protected
- Content is maintenance free for a period of 10 years



Application:

Rescue, abseiling

Areas of use:

Industry, Wind turbines, cable cars



Order No.	Application Length	Weight*	Housing	Dimensions (mm)
41-KSET/z61*	bis 50 m KMS 105	12,0 kg	Plastic	555 x 428 x 211
41-KSET/z62*	50 - 150 m KMS 105	23,0 kg	Plastic	687 x 528 x 276
41-KSET/z63*	150 - 200 m KMS 105	28,0 kg	Plastic	687 x 528 x 366
41-BSET	bis 200 m KMS 105	1,3 kg	Plastic	1100 x 500
41-ASET	bis 200 m KMS 105	4,6 kg	Aluminium	775 x 385 x 375

* Pos. 1-3: Weight specifications refer to the respective equipment with max. rope lengths of 50, 150 and 200 meters.



PPE-Backpack

Ideal for storing and transporting PPE materials

Made of stable, non-soiling nylon material. Backpack is equipped to splash-water zippers that are impermeable.

External features:

Storeable backpack straps, metal adjust buckles, carrier handle with carabiner strap for transport of the rope, title block

Internal features:

8 pockets, carabiner-/material-/ rope straps, 4 straps with buckles for material fixation. Measurements: 70 x 30 x 17 cm



Order No.	Colour
40-60	blau



Abseilhandschuhe

Safe grip and perfect hand protection

Special abseiling gloves suitable for abseiling, rescue and rescue from heights.

- Extrem robust synthetic leather
- All-round wrist support for perfect fixation on the wrist
- Padded ankle protection
- Abrasion-reinforced fingertips
- Washable and breathable
- Weight: ca. 130 g



Order No.	Size
46-RRH-S	S
46-RRH-M	M
46-RRH-L	L

Order No.	Size
46-RRH-XL	XL
46-RRH-XXL	XXL

Deflection Roller for Kernmantle Rope

Deflection without frictional resistance

Stable, smooth running pulley for ropes up to \varnothing 13 mm in a corrosion-resistant version

- Maximum load of 32 kN
- Weight approx. 0,2 kg



Order No.	max. Load	Weight
46-Z13	max. 32 kN	200 g

Edge Protector

Safe rope route over edges

- Stable, corrosion-resistant stainless steel version
- 90° angle; rope protection for edges
- Including a plastic covered steel cable \varnothing 3 mm x 1.5 m length



Order No.	Dimensions (mm)	Weight
42-Z3	150 x 120 x 3	1,0 kg





Helmet

according to EN 397



This high-tech helmet was designed for the professional work. It is lightweight, extremely stable, compact and well ventilated. The chin strap with 4 attachment points ensures for high wearing comfort.



- Deliverable in 8 colours
- Suitable for head lights and the fitting of a visor
- 2 visor variants (not included)
- Adjustable sizes 51 – 62 cm
- Weight: 390 g



Order No.	Colour
46-Helm-WE	white
46-Helm-HE	light blue
46-Helm-GR	green
46-Helm-GE	yellow
46-Visier-TR	transparent

Order No.	Colour
46-Helm-BL	blue
46-Helm-RO	red
46-Helm-OR	orange
46-Helm-DG	dark green
46-Visier-SM	tinted



Rescue Clamp Type BK and DK

according to CNB/P/11.115 Rev.01 (E):2015-09-24



The IKAR Rescue Clamp is to be used for a rescue of a person arrested on a personal fall protection system and the connecting element of the rescue device can not be connected directly to the injured person. The rescue clamp is approved for the rescue of 1 person.



- Allows unhindered lifting and lowering / abseiling saving person
- Easy and fast handling
- max. permissible load: 136 kg, minimum load: 50 kg
- Suitable only for:
 - IKAR webbing 19 mm - 25 mm
 - KAR steel and precious ropes of \varnothing 4,8 mm diameter



Order No.	Length	Width	Height	Weight	Load Capacity (mind. / max.)
41-DK	85 mm	25 mm	65 mm	180 g	50 kg / 136 kg
41-BK	100 mm	45 mm	76 mm	340 g	50 kg / 136 kg

Telescopic Remote Reach Rescue Pole

for attaching the lifeline to an accident victim

Up to 3.60 m extendable aluminum telescopic pole with fitted carabiner holder at the top end, can only be used in conjunction with an IKAR IKV 11 and IKV 47 carabiner on an IKAR Ø 10.5 mm kernmantle rope.

- Suitable for the use with ABS 3a and ABS 4
- Minimum length: 80 cm
- Weight: 510 g



Order No.	Description
41-z19	Telescopic Rescue Pole

Order No.	Description
40-57	Protective bag, blue

Teleskopische Pole

for fixing a temporary attaching point

Very sturdy telescopic aluminium pole with bayonet closure, basic length 2.10 m, maximum extended length 3.90 m. The removable RH 60 FB pipe hook with an gate opening of 60 mm for transport is recommended. The pipe hook is opened with a draw string.



Pipe Hook RH60 FB
with 5 m draw string



Teleskopische Pole
(without Pipe Hook)

Order No.	Description
RH60FB	Pipe Hook

Order No.	Description
Teleskop	Teleskopische Pole





T-Bar

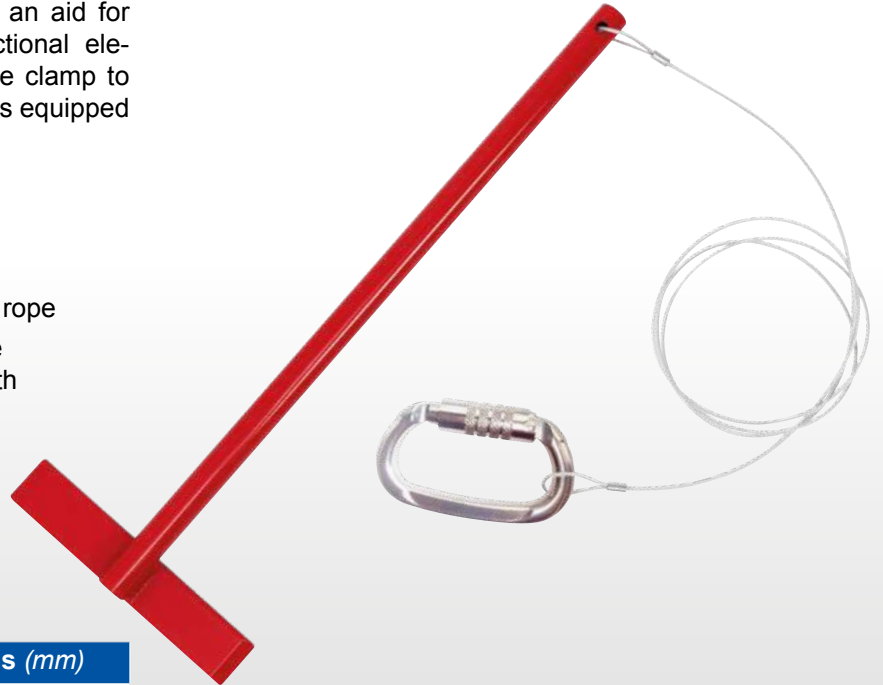
Ideal aid for rescue operations



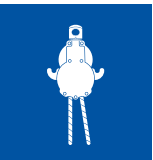
The IKAR T-Bar (rope release lever) is an aid for keeping close-fitting ropes on constructional elements, to attached for example a rescue clamp to the lanyard of a casualty. The rope lever is equipped with a safety rope to prevent it for falling.



- Lightweight and robust construction made of aluminium
- Angled surfaces to avoid damage the rope
- Fixed, plastic-coated steel safety rope with snap hook, Ø 3 mm x 1.5 m length
- Dimensions: 430 x 160 x 23 mm



Order No.	Dimensions (mm)
42-Z 5	430 x 160 x 23





Proven Technology. Proven Safety.

A suitable anchorage device / anchorage point is a prerequisite for the use of personal fall protection systems. IKAR GmbH not only offers a selection of stop systems, but also professional assembly on request.



Webbing Anchorage Sling

according to EN 795:2012 Typ B; CEN/TS 16415:2013; EN 354:2010

- Sewn loop sling made from 28 mm polyester webbing
- Fitted with a tubular web wear sleeve

Application:

Anchorage device for use in fall restraint and fall arrest systems

Areas of use:

Industry, construction and utility

Length	Order No.	Weight
0,50 m	45-IK AB 50	100 g
1,00 m	45-IK AB 100	200 g
1,50 m	45-IK AB 150	300 g
2,00 m	45-IK AB 200	400 g



Steel Cable Anchorage Sling

according to EN 795:2012 Typ B; CEN/TS 16415:2013; EN 354:2010

- Swaged double ended loop sling
- Ø 6 mm galvanized steel cable

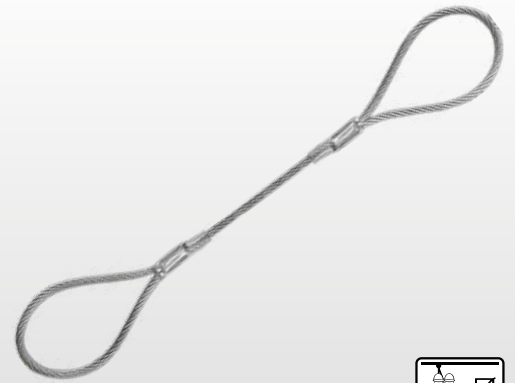
Application:

Anchorage device for use in fall restraint and fall arrest systems

Areas of use:

Industry, construction and utility

Length	Order No.	Weight
0,50 m	45-IK AS 50	185 g
1,00 m	45-IK AS 100	265 g
1,50 m	45-IK AS 150	345 g
2,00 m	45-IK AS 200	425 g



AP-MAV according to EN 795:2012 Typ B und CEN/TS 16415:2017

The mobile anchorage connector is intended for the creation of a suitable anchorage point on an IKAR kernmantle rope type KMS 105 and has been tested and approved for fall protection and rescue of a maximum of 2 people.

- Aluminium construction
- Easy to use
- Corrosion resistant coating

Order No.	Weight
AP-MAV	0,17 kg



Anchorage Beam Clamp

according to EN 795:2012 Typ B

Easily mountable and removable attachment point on standard steel structures.

- Adjustable beam clamp
- Aluminium alloy bar and haws
- Nickel plated D ring
- Spring loaded adjustable jaws with securing screws
- Designed to fit 84 - 265 mm wide "I" Beams up to 23 mm thick
- Minimum breaking load : 15 kN



Order No.	max. Load	Weight
41-TK	1 Pers.	2,2 kg



Mobile Door Truss

according to EN 795:2012 Typ B und CEN/TS 16415:2017

Easily mountable and removable anchorage device through clamp fastening for personal fall protection and rescue without damaging existing structures.



- Galvanised steel construction 50 x 50
- Clamp size 590 – 1100 mm
- Overall length 1410 mm

Order No.	max. Load	Weight
41 - TA	2 Pers.	10,2 kg





AP-Fix W rotating

according to N 795:2012 Typ A; CEN/TS 16415:2013

Eyebolt point free with rotating ring eye



The AP-Fix W offers you an optimum of freedom of movement with a 360 ° eyelet. These on very limited working surfaces such as wind turbines, on large machines, in maintenance halls or in industrial production.

- Free rotating ring eye
- incl. Mounting material



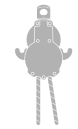
Order No.	max. Load	Weight
AP-Fix W	2 Pers.	480 g



Eyebolt AP-Fix

according to EN 795:2012 Typ A; CEN/TS 16415:2013

- Eyebolt for anchoring in concrete with reactive and M16 threaded bolt,
- Galvanised, total length approx. 125 mm



Concrete



Order No.	max. Load	Weight
AP-Fix	2 Pers.	440 g



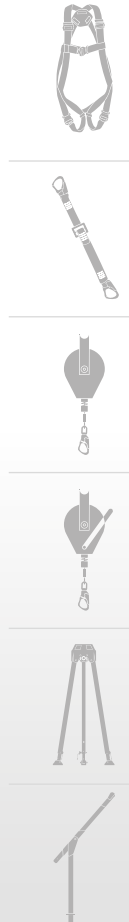
Eyebolt AP-Fix S

according to EN 795:2012 Typ A; CEN/TS 16415:2013

- Eyebolt for bolting to steel constructions with nut and washer, M16 threaded bolt, galvanized,
- total length approx. 65 mm



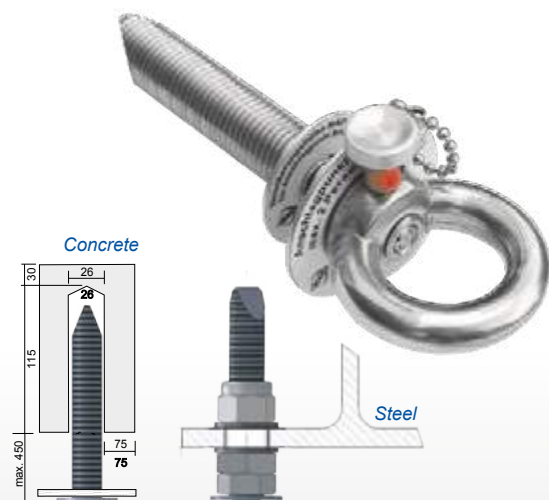
Order No.	max. Load	Weight
AP-Fix S	2 Pers.	460 g



temporary, pivotable Eyebolt MAP

compliant with EN 795:2012 Typ B; CEN/TS 16415:2017

- 2 Person Anchorage eyebolt which is removable at the press of a button
- Ø 24 mm sleeve for anchoring in concrete (MAP-H) with injection adhesive or for bolting to steel constructions (MAP-SH).
- Components are made of rust-free stainless steel, sleeve length approx. 100 mm or long sleeve approx. 550 mm, M24 metric exterior sleeve thread.
- Weight 300 g



Sleeve versions - Concrete:

Order No.	Order No.
MAP-H 100	MAP-H 350
MAP-H 150	MAP-H 400
MAP-H 200	MAP-H 450
MAP-H 250	MAP-H 500
MAP-H 300	MAP-H 550

Sleeve version- Steel:

Order No.
MAP-SH 150

Mobile Eyebolt:

Order No.
MAP





Temporary horizontal lifeline HLL

Shockabsorber HLL

according to 795:2012 Typ B/C



The IKAR temporary horizontal lifeline system is a tested and certified personal protective equipment against falling which is used in combination with IKAR height safety devices according to EN 360 or shock absorbing lanyards according to EN 355. The temporary lifeline systems are used to protect workers operating in the horizontal plane who may not have continuous access to suitable Anchorage Points. The HLL is equipped with an integrated switchable reverse lock, which facilitates the pre-tension of the lifeline system. The innovative tension indicator shows the user when the correct preload



force is reached. A person who fell into the system can be lowered a maximum of 2 m.



- Maximum span 12 m
- System capacity of 1 Person
- Rescue length up to 2 m
- Pre-tension 1,0 kN
- Steel cable Ø 6,0 mm



Application:

Attachment

Areas of use:

Industry, Scaffolding, Construction



Order No.	Suspension	Weight	Dimensions (mm)	Function
41-HLL 12/6	Swivel	4,2 kg	385 x 197 x 158	Anchorage device

Temporary horizontal lifeline HAL

ABS 3a WH with pre-tension indicator

according to EN 341:2011/1A bzw. 1B; EN 1496:2017/A; EN 795:2012 Typ B/C



The IKAR descent device ABS 3a WH with integrated tension indicator is tested and certified as a temporary horizontal lifeline system which is used as personal protective equipment against falling in combination with IKAR height safety according to EN 360 or fasteners with shock absorber according to EN 355. The temporary lifeline systems are used to protect workers operating in the horizontal plane who may not have continuous access to suitable Anchorage Points. An integrated switchable reverse allows an easy pretension of the lifeline system. The innovative tension indicator shows the user when

the correct preload force is reached. In addition, the IKAR HAL system presents itself as a descent device with hoisting facility. A person who has fallen into the system can be lowered a maximum of 100 m.

- Maximum span 12 m
- System capacity of 1 Person
- Rescue length up to 100 m
- Pre-tension 1,0 kN
- Kernmantle rope \varnothing 10,5 mm

Application:

Attachment, Rescue

Areas of use:

Industry, Scaffolding, Construction

Order No.	Suspension	Weight	Dimensions (mm)	Function
42-HAL 12	Swivel	3,2 kg	248 x 197 x 147	Anchorage device / abseiling device

Order No.	Dimension	Weight	Rope Suspension	Function
KMS 105-X	\varnothing 10,5 mm	70 g/m	till 20 m, carabiner on both sides	Lowering descending
KMS 105	\varnothing 10,5 mm	70 g/m	additionally per metre	Lowering descending





Carriage for Personal Fall Protection Devices

Certified as mobile anchorage device for personal safety devices in accordance with EN 795:2012 Type B

The IKAR carriage is a mobile anchorage point for securing one person to an existing construction. The existing construction should be able to withstand the forces in the direction of the load which arise in case of a fall (compliant with EN 795 verification by the technical construction regulations).

- Corrosion-resistant V2A stainless steel design
- Smooth-running design due to guide rollers with dual ball-bearings
- Track clearance adjustable with eccentric bolts on the carriage for optimum play-free running performance
- Low-noise running characteristics due to polyamide rollers
- Follows automatically follows in a vertical position above the user
- Impact bumpers mounted on both sides
- Available for various IPE beam sizes (see table below)



Order No.	Type	Beam Type	max. Field Length
41-LW 100	LW 100	IPE 100	3.000 mm
41-LW 120	LW 120	IPE 120	4.000 mm
41-LW 140	LW 140	IPE 140	4.000 mm
41-LW 160	LW 160	IPE 160	6.000 mm
41-LW 200	LW 200	IPE 200	8.000 mm
41-LW 270	LW 270	IPE 270	10.000 mm
41-LW 360	LW 360	IPE 360	15.000 mm



Safe connection through high-quality components.

Our tested and approved connecting elements guarantee system compatibility and the associated safety protection. Suitable means of transport and storage are another guarantee for the safety and longevity of personal fall protection systems.



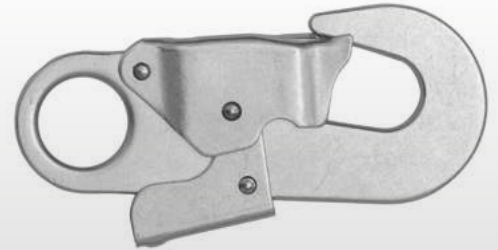


Double Action Hook IKV 06

according to EN 362:2004

- Aluminium double action hook
- approx. 65 x 131 mm (B x L_k)
- Gate opening Ø 18 mm

Order No.	Load Bearing Capacity	Weight
400000SH00	22 kN	245 g



Double Action Hook IKV 11

according to EN 362:2004

- Aluminium version with oval eye especially for webbing components
- approx. 72,5 x 136,5 mm (B x L_k); Gate opening Ø 25 mm

Order No.	Load Bearing Capacity	Weight
400002B0224	30 kN	135 g



Carabiner Hook IKV 13

according to EN 362:2004

- Steel version with screwgate mechanism and pin
- approx. 57 x 109 mm (B x L_k); Gate opening Ø 18 mm
- Optional with PIN

Order No.	Load Bearing Capacity	Weight
400000SK00	25 kN	165 g



Carabiner Hook IKV 14

according to EN 362:2004

- Steel version with screwgate mechanism
- approx. 81,5 x 123 mm (B x L_k)
- Gate opening Ø 28 mm
- Optional with PIN

Order No.	Load Bearing Capacity	Weight
400000SHG0	35 kN	274 g



Large Carabiner Hook IKV 17

according to EN 362:2004

- Steel version with TWIST-LOCK mechanism
- approx. 132 x 231 mm (B x L_k); Gate opening Ø 54 mm
- Optional with PIN

Order No.	Load Bearing Capacity	Weight
41-z10	35 kN	760 g



Carabiner Hook IKV 18

according to EN 362:2004

- Steel version with TRI-LOCK mechanism
- approx. 77 x 119 mm (B x L_k); Gate opening Ø 25 mm
- Lateral force capacity 15 kN

Order No.	Load Bearing Capacity	Weight
4000000018	53 kN	265 g



Double Action Hook with Fall Indicator IKV 21

according to EN 362:2004

- Aluminium double action hook and swivel
- approx. 74,5 x 185,5 mm (B x L_k); Gate opening Ø 26 mm

Order No.	Load Bearing Capacity	Weight
40000WF0224	28 kN	183 g



Double Action Hook IKV 28

according to EN 362:2004; ANSI Z 359.12-09; CSA Z 259.12-11

- Steel version with double action mechanism
- approx. 65 x 147 mm (B x L_k)
- Gate opening Ø 21 mm

Order No.	Load Bearing Capacity	Weight
40000N3610	23 kN	384 g





Double Action Hook with Fall Indicator IKV 29

according to EN 362:2004

- Stainless steel double action hook with swivel
- approx. 54 x 184 mm (B x L_k)
- Gate opening Ø 18 mm



Order No.	Load Bearing Capacity	Weight
40000E0000	23 kN	394 g



Carabiner Hook IKV 30

according to EN 362:2004

- Steel version with TRI-LOCK mechanism
- approx. 54,5 x 108,5 mm (B x L_k); Gate opening Ø 17 mm
- Optional with PIN



Order No.	Load Bearing Capacity	Weight
4000000030	25 kN	196 g



Large Carabiner Hook IKV 31

according to EN 362:2004

- Steel version with TWIST-LOCK mechanism
- approx. 132,5 x 237 mm (B x L_k); Gate opening Ø 55 mm
- Optional with PIN



Order No.	Load Bearing Capacity	Weight
4000002012	35 kN	746 g



Double Action Hook with Fall Indicator IKV 33

according to EN 362:2004; ANSI Z 359.12-09; CSA Z 259.12-11

- Steel version with double action mechanism
- approx. 65 x 196 mm (B x L_k)
- Gate opening Ø 21 mm



Order No.	Load Bearing Capacity	Weight
4000000033	23 kN	500 g



Triple Carabiner Hook with Fall Indicator IKV 34

according to EN 362:2004

- Aluminium version with TRI-LOCK mechanism and swivel
- approx. 79 x 180 mm (B x L_k); Gate opening Ø 21 mm



Order No.	Load Bearing Capacity	Weight
4000000034	25 kN	170 g



Carabiner Hook IKV 35

according to EN 362:2004

- Steel version with TWIST-LOCK mechanism
- approx. 55 x 108 mm (B x L_k); Gate opening Ø 17 mm
- Optional with PIN



Order No.	Load Bearing Capacity	Weight
4000000035	25 kN	198 g



Carabiner Hook IKV 36

according to EN 362:2004

- Steel version with TWIST-LOCK mechanism
- approx. 81,5 x 123 mm (B x L_k); Gate opening Ø 27 mm
- Optional with PIN



Order No.	Load Bearing Capacity	Weight
4000000036	35 kN	294 g



Carabiner Hook IKV 37

according to EN 362:2004

- Special carabiner steel with TRI-LOCK mechanism
- approx. 18 x 61 mm (B x L_k)
- Gate opening Ø 15 mm



Order No.	Load Bearing Capacity	Weight
4000000037	25 kN	190 g





Carabiner Hook IKV 47

according to EN 362:2004; ANSI Z359.12-2019; CSA Z259.12-16

- Aluminium carabiner with TRI-LOCK mechanism
- approx. 80 x 141 mm (B x L_k)
- Gate opening Ø 22 mm



Order No.	Load Bearing Capacity	Weight
4000000047	23 kN	149 g



Large Double Action Hook IKV 53

according to EN 362:2004; ANSI Z359.12-2019; CSA Z259.12-16

- Steel version
- approx. 139 x 243 mm (B x L_k)
- Gate opening Ø 65 mm



Order No.	Load Bearing Capacity	Weight
4000000053	23 kN	800 g



Carabiner Hook IKV 54

according to EN 362:2004; ANSI Z359.12-2019; CSA Z259.12-16

- Aluminium carabiner with TRI-LOCK mechanism
- approx. 77,9 x 123,4 mm (B x L_k); Gate opening Ø 22 mm
- Optional with PIN



Order No.	Load Bearing Capacity	Weight
4000000054	24 kN	147 g



Large Double Action Aluminium Hook IKV 55

according to EN 362:2004; ANSI Z359.12-2019; CSA Z259.12-16

- Aluminium version with double action mechanism
- approx. 144 x 248 mm (B x L_k)
- Gate opening Ø 61 mm



Order No.	Load Bearing Capacity	Weight
4000000055	23 kN	637 g



Large Double Action Hook IKV 58

according to EN 362:2004; ANSI Z359.12-2019; CSA Z259.12-16

- Aluminium version with double action mechanism, fall indicator and swivel
- approx. 145 x 291 mm (B x L_k); Gate opening Ø 62 mm



Order No.	Load Bearing Capacity	Weight
4000000058	23 kN	705 g

Tripod Carrying Bag

fits for all IKAR tripods

- Very solid construction to protect the tripod
- 2 carrying handles and zipper



Order No.	Weight	Dimensions (mm)
40-58	1,7 kg	1.650 x 300 x 300
40-58 XLA3	1,7 kg	2.150 x 300 x 300





Metal Case for Equipment and Accessories

- Solid and robust metal design
- Safe storage and transport of equipment and accessories
- Dimensions: 50 x 30 x 25 cm



Order No.	Weight
41-z55	1,7 kg



Plastic Case for Equipment and Accessories

- Solid and robust plastic design
- Safe storage and transport of equipment and accessories
- Dimensions: 42 x 34 x 16 cm



Order No.	Weight
41-z60	1,1 kg



Bags for Equipment and Accessories

- Robust textile design
- Safe storage and transport of equipment and accessories

Dimensions:

- Big Bag: Ø 30 x 60 cm height



Order No.	Weight
40-56 (big)	1,15 kg





Establish a safe connection together.

The IKAR sets offer a sensible combination of basic components of personal fall protection systems for different trades, areas of application and rescue measures for working at height.





Rescue Kit

Security until you return to the ground

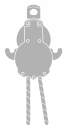
The rescue kit was developed especially for people using personal fall protection equipment. After falling the casualty is suspended in a situation which it cannot get out on its own and is therefore dependent on external rescue.

The complete rescue kit consists of:

- ABS 3a WH descent device with emergency lifting function, for lifting and/or lowering the casualty
- 1 m long anchorage sling
- IKV 13 steel screwgate carabiner hook as connecting element
- Kernmantle rope \varnothing 10.5 mm in standard lengths of 20 m and 40 m with IKV 11 small aluminium double action hook
- Other rope lengths on request
- A telescopic pole (extendable up to 3.60 m), with bracket to hold IKV 11 safety hook in gate open position
- Robust backpack carrying and storage bag
- Detailed instructions for use



Order No.	Description
41-RSET/20	Rescue Kit, 20 m
41-RSET/40	Rescue Kit, 40 m



Standard Kit

Standard relieves the operational organization

- IKAR Full Body Harness IK G 1
- 1.5 m long kernmantle rope connecting device with energy absorber; double action steel hook IKV 06 and double action tube hook IKV 55
- Device bag

Application:

Scaffolding, steel structures



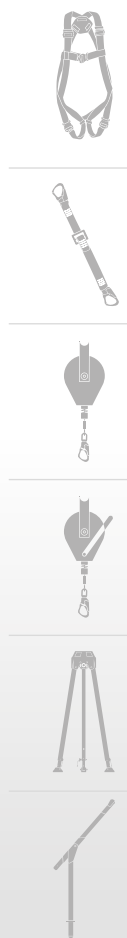
Order No.	Description
SET01	Standard Kit



Sweety Kit

Fall protection for the demanding user

- IKAR Full Body Harness IK G 1
- Height safety device type HWB 2 (Sweety)
- Sweety (certified over a sharp edge) optionally with tube hook IKV 55 at the webbing with 60 mm opening gate (with surcharge)
- Carabiner hook IKV 13 is included
- 1 m webbing anchorage sling as connecting device
- Device bag



Application:

For movement-intensive work on steel roofs, flat roofs, ladders, steel structures, scaffolding

Order No.	Description
SET02	Sweety Kit

AG 01 Kit

Universal fall protection for the experienced user

- IKAR Full body Harness IK G 1
- Guided type fall arrest device IK AG 01
- Ø 12 mm kernmantle rope, total length 10 m
- 2 m webbing anchorage sling
- Device bag



Application:

Work on roofs, ladders, windows and facades

Order No.	Description
SET05	AG 01 Kit



Elevated Working Platforms Kit

The seat belt for the working platform

- IKAR harness IK G 2 B
- Height safety device ACB 1,8
- with double action hook IKV 11 is included in the hold
- Device bag
- Carabiner hook IKV 30



Areas of use:

Working platforms

Order No.	Description
SET08	MEWP Kit



Scaffolding Kit

Maximum protection against falling through maximum performance

- IKAR harness IK G 2 BX flex
- Height safety device HWB 2 DWG
- Large double action hook IKV 55 at the end of webbing
- Device bag



Application:

Scaffolding

Order No.	Description
SET09	Scaffolding Kit





Machine safety with flexibility.

Our range of load arrester offer a selection for different areas of application to protect against a fall of the load in the event of failure of the load suspension device and possible property damage or personal injury.



Load Arrester

robust and low-maintenance - for securing loads

according to RL 2006/42/EG

Different requirements for machine safety require different concepts for the safety catch mechanism. When specifying the requirements for machine safety, the selection of a standard product is guaranteed.



Application:

Load Arrest

Areas of use:

Industry

Order No.	Length*	Housing	Weight	Dimensions (mm)	Capacity
41-HWB 3,5 L 150	3,5 m	Aluminium	1,10 kg	27 x 88 x 64	150 kg
41-HWPS 6 L-136	6,0 m	Plastic	2,50 kg	420 x 145 x 80	136 kg
41-HWPS 12 L/150/12	12,0 m	Plastic	4,90 kg	500 x 195 x 95	150 kg
41-HWPS 12 L/250/9	9,0 m	Plastic	4,90 kg	500 x 195 x 95	250 kg
41-HPS 6 L/300	5,0 m	Plastic	3,00 kg	430 x 150 x 91	300 kg
41-HPS 12 L 300 kg	10,0 m	Plastic	4,60 kg	470 x 190 x 114	300 kg
41-HPS 7 L/250	7,0 m	Plastic	4,60 kg	470 x 190 x 114	250 kg
41-HPS 18 L/300/16	16,0 m	Plastic	6,7 kg	540 x 225 x 96	300 kg
41-HL 30/1000	6,0 m	Aluminium	18,0 kg	640 x 320 x 120	1.000 kg
41-HL 30/500	10,0 m	Aluminium	18,0 kg	640 x 320 x 120	500 kg
41-HL 16/500/6	6,0 m	Aluminium	13,5 kg	630 x 275 x 110	500 kg

* The specified lengths refer to the possible length of use of the respective product.

Our Applicable Sales, Delivery and Payment Conditions

1. General

Any deliveries and services are exclusively based on the following terms and conditions. The purchaser's purchase conditions are expressly excluded herewith. We are not committed to such conditions, even if these have not been expressly objected again at the time of contract performance. All our offers are subject to change and noncommittal. Orders, price agreements and any other agreements also and in particular if these orders and agreements modify the sales conditions are subject to our written confirmation.

2. Technical Documents

All information and illustrations as well as dimensions and weight tables, etc., are approximations, unless especially confirmed by us.

3. Delivery Terms, Delivery Dates

Delivery terms and dates are approximations unless agreed otherwise. Delivery terms start with date of the order receipt. Delivery terms and dates refer to the time of dispatch ex works. In case of a delay, the purchaser agrees to allow a reasonable extension of time. If the delay is due to our production situation, the latter must be considered for calculating the extension of time. Damage claims due to non-performance or delayed performance are excluded. In case of a Force Majeure event with an impact on us, our pre-suppliers, transport companies or the purchaser, the delivery term is extended according to the duration of the Force Majeure event.

4. Partial Deliveries

Reasonable partial deliveries are admissible.

5. Prices

The indicated prices are ex works and net of the applicable VAT. Packaging, shipping and transport insurance costs are not included.

6. Payment Terms

Payments within a period of 10 days from the invoice date are subject to a discount of 2%. All invoices are payable without deduction within 30 days from the invoice date. New customers pay in advance.

7. Despatch

Despatch is ex works and without any guarantee for the cheapest despatch method insofar as no specific arrangement is made. Shipments within Europe as from a net goods value of € 5,000 are delivered free, air and sea freight shipments are freight forward, below a net goods value of € 50 there is a processing fee of € 10 ex works.

8. Liability and Warranty

Except for cases of intent and gross negligence, any liability of the seller's legal representatives, assistants and employees is excluded. All items are subject to a guarantee (warranty) period of 12 months from the delivery of the products. If any product should become defective during the warranty period, the purchaser is at first entitled to a removal of the defect (remedy). If the remedy fails, the product is replaced by a similar or comparable new product. If such replacement is impossible, the purchase price will be reimbursed. Any additional damage claims are excluded. The purchaser is obligated to notify in writing to or have registered by the seller, any visible defects within 7 day from the goods receipt. Warranty obligations do not apply, if the occurred defect is due to an inappropriate use or overstressing of the purchased product or if parts have been mounted to the product or the latter has been modified without the seller's consent or if the purchaser has not observed the operation, maintenance and servicing instructions (e.g. operation manual) of the product. Natural wear and tear and aging is excluded from the warranty.

9. Place of Delivery, Place of Venue

Place of delivery is the registered office of the seller. For all current and future claims resulting from business relationships with general merchants, including draft- and cheque claims, place of venue is solely the registered office of the seller. The same place of venue applies if the purchaser has no general domestic place of venue, or after conclusion of contract transfers his residence abroad, or the purchaser's permanent dwelling is unknown at the point in time of the filing of a complaint. All other customers are subject to the competent legal venue for their place of residence. The same legal venue applies if the purchaser does not have a domestic general legal venue, relocates his/her place of residence or usual domicile to a foreign country after the conclusion of the contract or if the place of residence or usual domicile is unknown at the time of filing a claim. All other customers are subject to the competent legal venue for their place of residence.

10. Data Privacy

Without your express consent, your data will only be used for processing your order and will be stored electronically in the context of a business relationship. Your data will only be forwarded to companies contracted for the delivery, to the extent required for order processing. Otherwise, your data will be treated strictly confidential and not disclosed to third parties.

11. Retention of Title

The goods remain the sole property of IKAR GmbH up to their complete payment.

12. Severability

If any of the provisions mentioned above becomes ineffective, all other provisions shall remain in full effect.







IKAR GmbH
Industriepark West
Nobelstrasse 2
36041 Fulda

Fon: +49 (0) 661 - 22050
Fax: +49 (0) 661 - 21842

www.ikar-gmbh.de
kontakt@ikar-gmbh.de