



# JUNKIN SAFETY APPLIANCE COMPANY

INCORPORATED

3121 MILLERS LANE • LOUISVILLE, KENTUCKY 40216

(502) 775-8303 • Fax (502) 772-0548

E-mail: junkinsafety@aol.com

## CERTIFICATE OF COMPLIANCE

THE JSA-200B, THE JUNKIN SAFETY APPLIANCE CO., INC., BREAKAPART PLASTIC STRETCHER IS BUILT IN ACCORDANCE TO ALL JUNKIN DRAWINGS AND SPECIFICATIONS.

MADE IN USA

LOAD CAPACITY: 1200 LBS.

*W. Chris Mercke*  
W. CHRIS MERCKE, PRESIDENT

JUNKIN BACKBOARDS  
STRETCHERS - STRETCHER CASES & KITS

JUNKIN FIRE BLANKET KITS  
JUNKIN SPLINT TYPE STRETCHER



# JUNKIN SAFETY APPLIANCE COMPANY

INCORPORATED  
3121 MILLERS LANE • LOUISVILLE, KENTUCKY 40216  
(502) 775-8303 • Fax (502) 772-0548

1-25-93

## LOAD TEST REPORT FOR *ISA*-200 & *ISA*-200-B

Procedure: One *ISA*-200 and *ISA*-200-B were loaded with 500 lbs. equally distributed the length of the litter. The litter was then lifted by an overhead hoist using a -300X Bridle Sling attached to the recommended attachment points. The amount of temporary deflection was then measured. The litter was then lowered to the ground and the amount of permanent deflection was measured (if any). Additional weight was added in 50 lb. increments and deflections were measured as above stated. No substantial deflections (either temporary or permanent) were recorded.

At 1200 lbs. the litter started to show signs of deflection, though not enough to cause concern. At 1400 lbs. the litter showed a deflection of more than 1 inch, yet never failed.

Conclusion: The *ISA*-200 and *ISA*-200-B can safely withstand a load of 1200 lbs. with no danger to the patient.

R. Bruce Mercke-Vice Pres.

JUNKIN BACKBOARDS  
STRETCHERS - STRETCHER CASES & KITS

JUNKIN FIRE BLANKET KITS  
JUNKIN SPLINT TYPE STRETCHER

# Fortiflex HDPE

## K50-10-136

Fortiflex® K50-10-136 is a high molecular weight, high density polyethylene copolymer. This product was developed for blowmolding automotive fuel tanks and other large parts, where the finished product demands outstanding physical performance. K50-10-136 combines excellent processability and environmental stress crack resistance (ESCR) with superior impact and other well-balanced end use properties.

Property	ASTM Test Method	Typical Values	
		English Units	SI Units
Density	D 4883	—	0.950 g/cc
Melt Index <sup>1</sup>	D 1238	—	10.0 g/10 min
Tensile Strength			
@ Yield (2 in/min)	D 638	3700 psi	25.5 MPa
Elongation			
@ Break (2 in/min)	D 638	800%	800%
Flexural Modulus <sup>2</sup>	D 790	165,000 psi	1136 MPa
Notched Izod Impact Strength	D 256	7.5 ft-lb/in*	0.4 kJ/m
Hardness (Shore D)	D 2240	63	63
Vicat Softening Point	D 1525	270°F	132°C
Brittleness Temperature	D 746	<-103°F	<-75°C
Deflection Temperature			
@ 66 psi	D 648	152°F	72°C
Environmental Stress Crack Resistance	D 1693A	>500 hrs	>500 hrs

(1/1/90)

<sup>1</sup> 190°C/21600 g

<sup>2</sup> Tangent-Method \*

\* Partial break

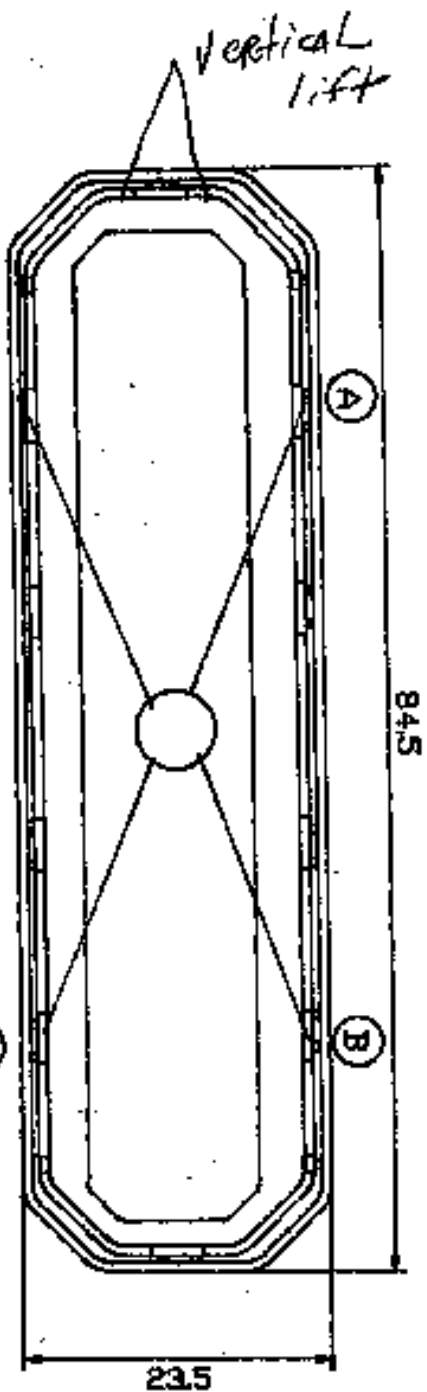
Solvay Polymers, Inc., 3333 Richmond Avenue, Houston, Texas 77058-3099, 1-800-231-6313  
Fax: 713/622-2435, Mailing Address: P.O. Box 27328, Houston, Texas 77227-7328  
Technical Service: 1-800-338-0489, Customer Order Service: 1-800-527-5419

Fortiflex® is a registered trademark of Solvay Polymers, Inc. To the best of our knowledge the information contained herein is accurate. However, neither Solvay Polymers, Inc., nor any of its affiliates assumes any liability whatsoever for the accuracy or completeness of the information contained herein. Final determination of the suitability of any information or material for the use contemplated, the manner of use, and whether there is any infringement of patents is the sole responsibility of the user. The above information gives typical properties only and is not to be used for specification purposes.

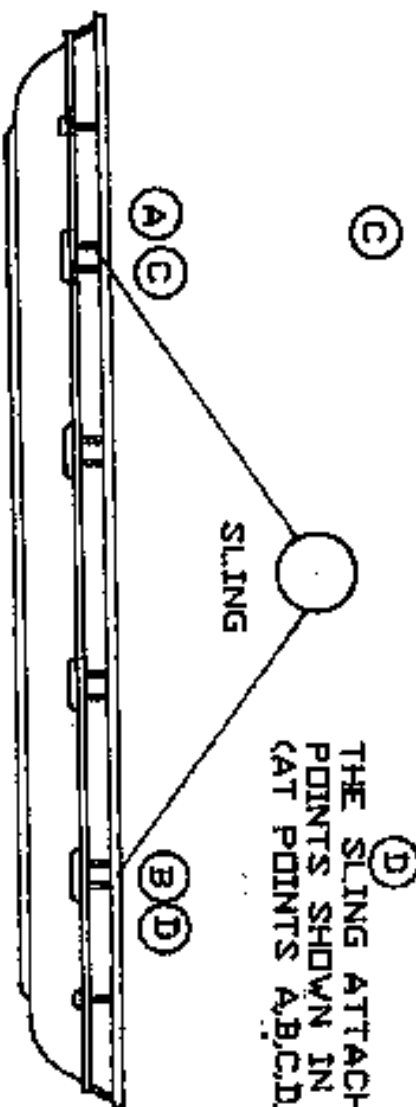
Solvay  
Polymers



© 1990 Solvay Polymers, Inc.



THE SLING ATTACHES TO THE FOUR POINTS SHOWN IN THIS ILLUSTRATION (AT POINTS A,B,C,D.)



LOAD CAPACITIES  
 STRETCHER 1200 LBS.  
 SLING 2000 LBS.

LINCOLN SAFETY APPLIANCE	
2101 MILLERS LN APOE4	
FARMINGTON, CT 06031	
28/8/91	SEE BILL MATERIAL