

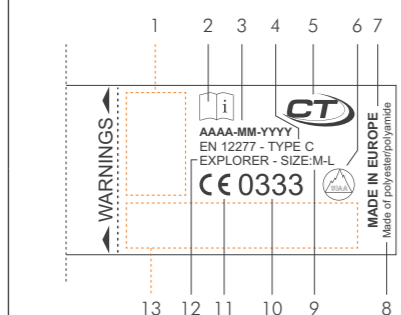
CLIMBING HARNESSSES

EN Sit harness for climbing.
 IT Imbracatura bassa per arrampicata.
 FR Harnais cuissard pour l'escalade.
 DE Kletter Sitzgurt.
 ES Arnés de cintura para escalada.
 PT Cadeirinha baixa para escalada.
 SE Låg klättringssele.
 NO Sitteasele for klatring.
 FI Matoliat kiipeilyvaajaat.
 DK Sidsesele til klättring.
 NL Zitgordel voor klimmen.
 SI Plezalni pas za alpinistično in športno plezanje. Horolezská sedačka.
 TR Tırmanma alt koşumu.
 CN 攀登坐式安全带。

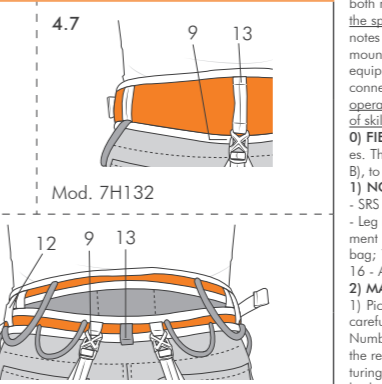
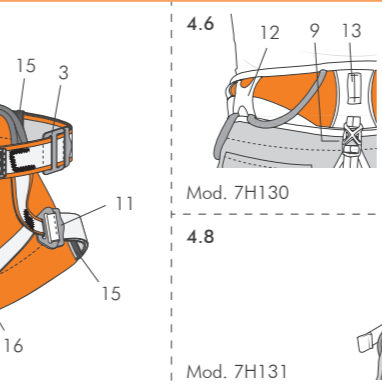
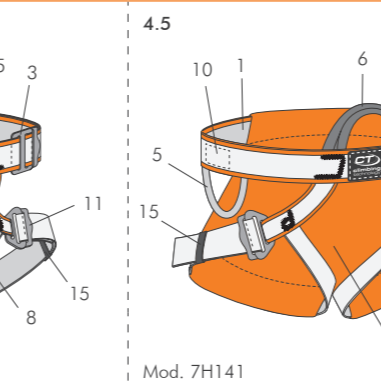
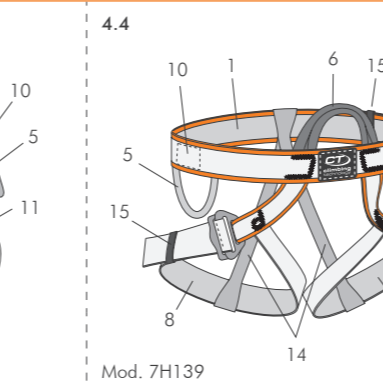
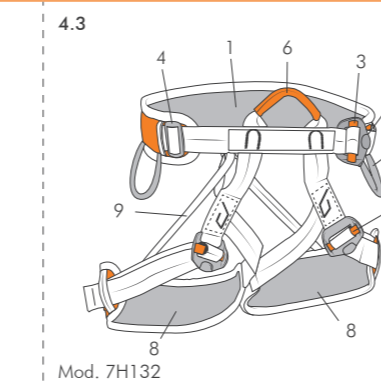
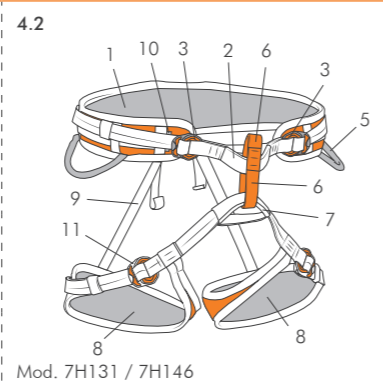
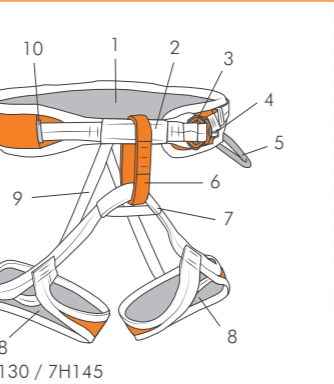


0333

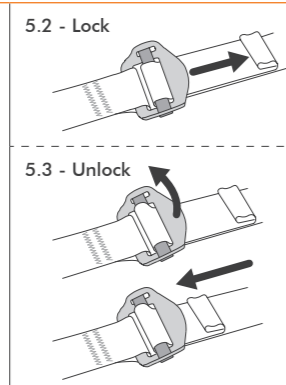
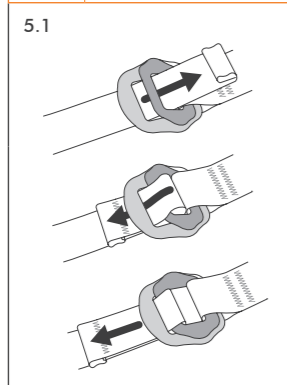
3 MARKING



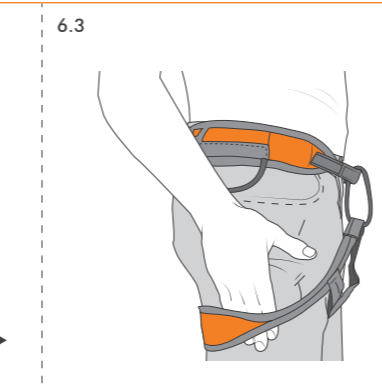
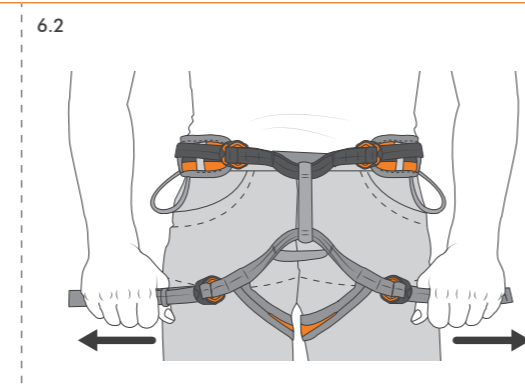
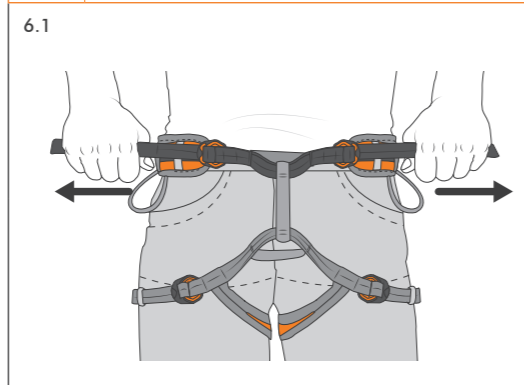
4 NOMENCLATURE OF PARTS



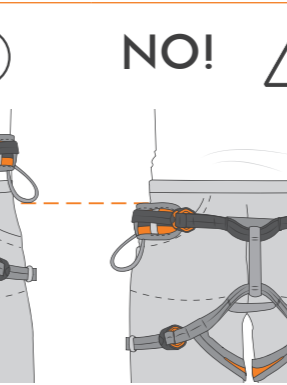
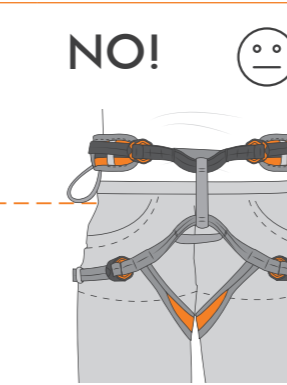
5 ADJUSTMENT BUCKLES



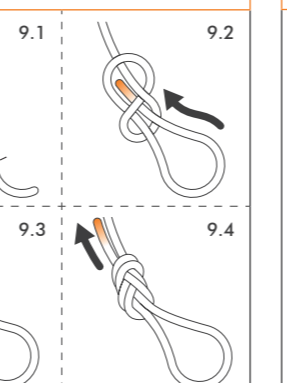
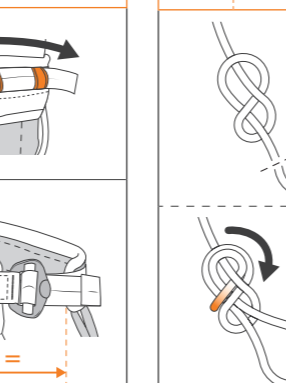
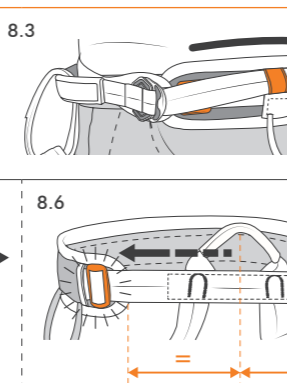
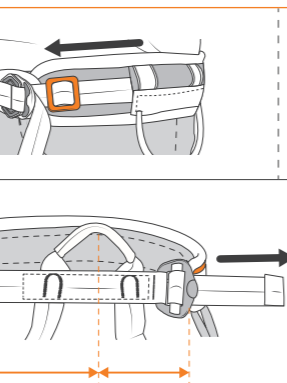
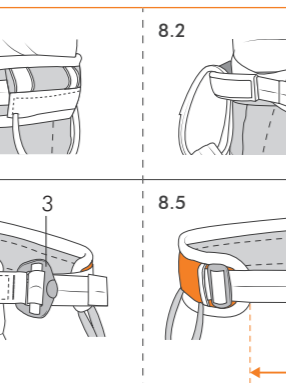
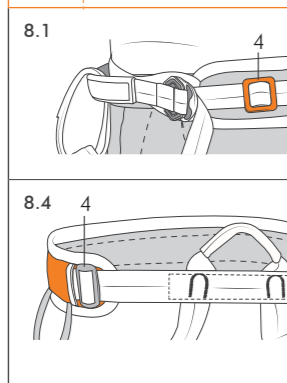
6 ADJUSTMENT OF THE HARNESS AND THE LEG LOOPS



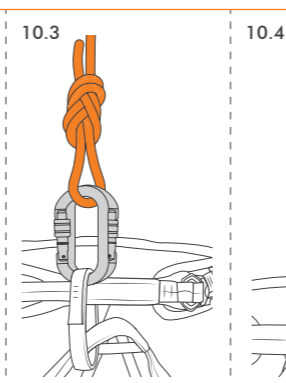
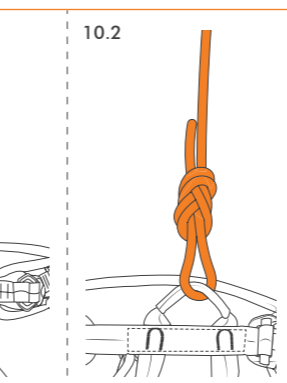
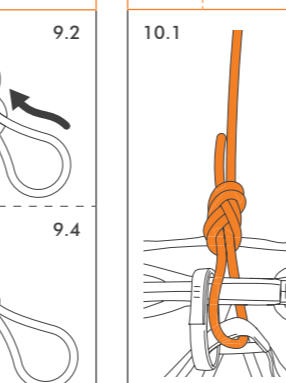
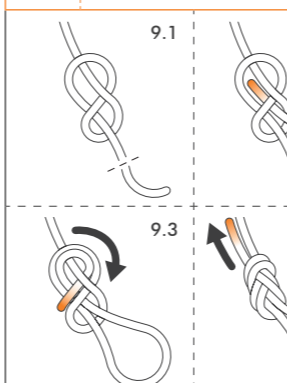
7 CORRECT POSITIONING OF THE HARNESS



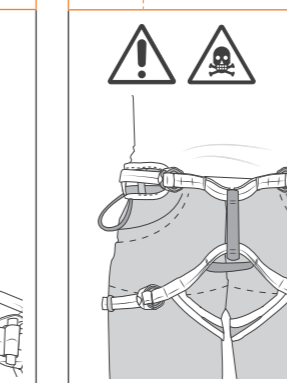
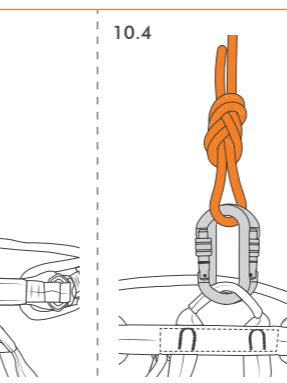
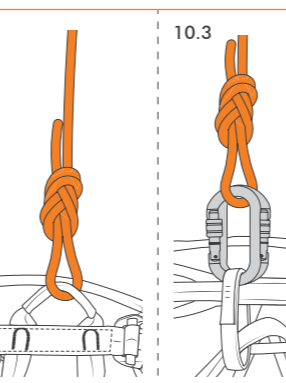
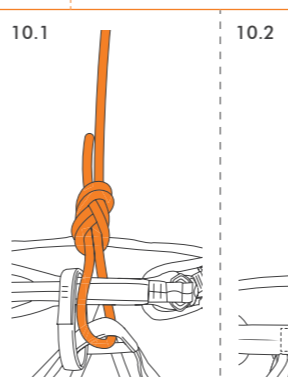
8 SRS SYSTEM (SIZE REGULATION SYSTEM)



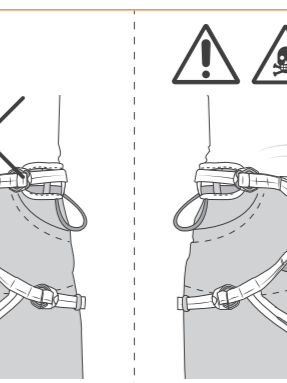
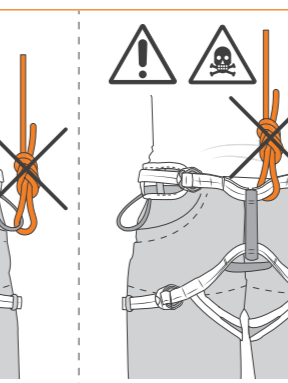
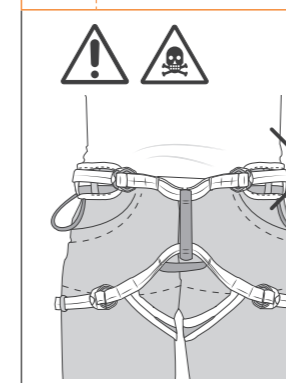
9 FIGURE OF HEIGHT



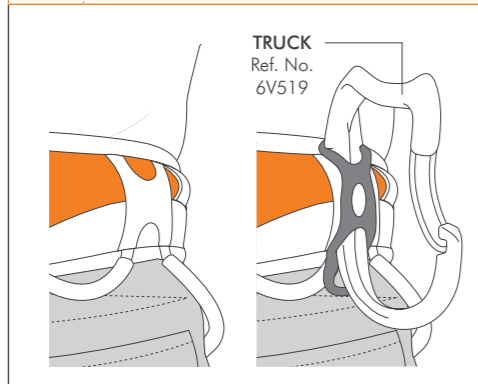
10 CONNECTING MODES



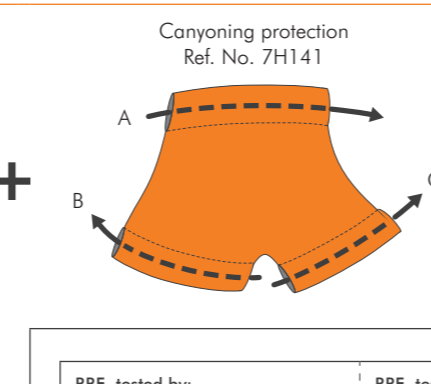
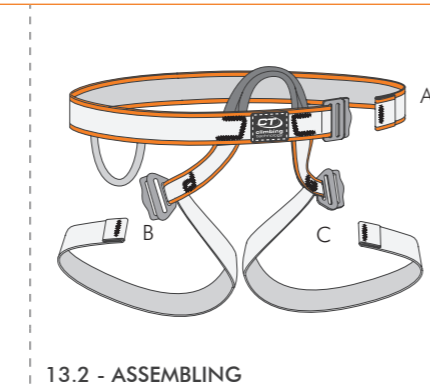
11 INCORRECT CONNECTING MODES



12 ACCESSORIES



13 PRO-CANYON MODEL - REPLACEMENT OF "CANYONING PROTECTION"



14 CLIMBING TECHNIQUES



ENGLISH

The instruction manual for this device consists of general and specific instructions, both must be carefully read and understood before use. **Attention!** This leaflet shows the specific instruction only. **SPECIFIC INSTRUCTIONS EN 12277 - TYPE C.** These notes comprise all the necessary information for a correct use of the harnesses for mountaineering, including those for climbing purposes. They are personal protection equipment (PPE) intended to be used in a full protection system as, for example, connectors and ropes. **Attention!** The use of this device is reserved only for qualified operators properly trained or for persons that are placed under the direct supervision of skilled and trained operators.

0) FIELD OF APPLICATION. EN12277:2007 - Mountaineering equipment: harnesses. The norm applies to the complete harness (type A), to the small size harness (type B), to the sit harnesses (type C), and to the chest harnesses (type D).

1) NOMENCLATURE. (Fig. 4). 1 - Belt; 2 - Belt adjustment buckle(s); 4 - SRS buckle for the size adjustment; 5 - Tool carrier loop(s); 6 - Belay loop; 7 - Loop; 8 - Leg loops; 9 - Leg loops elastic supports with clip; 10 - Label; 11 - Leg loops adjustment buckle(s); 12 - Fixing band for tool carrier connector; 13 - Rear loop for chalk bag; 14 - Removable elastic leg sustain straps; 15 - Removable elastic strap retainers; 16 - Anti wear protection for canyoning.

2) MARKING. The following information are printed on the label (Fig. 2): 1) Pictogram showing the correct connecting methods. 2) Logo advising the user to carefully read the instruction manual before employing the device. 3) Serial number. 4) Name of the relevant EN normative of reference. 5) Name of the manufacturer or of the responsible for the immission in the market. 6) UEA logo. 7) Country of manufacturing. 8) Building materials. 9) Size of the product. 10) 0333 - Number of the notified body responsible for the control of the manufacturing. 11) CE marking. 12) Product model. 13) Pictogram showing how to close and fix the adjustment buckles.

3) TRACEABILITY. Discovery and Pro-Canyon models (Fig. 2): individual serial number (AAAA-MM-YYYY) composed by progressive number (AAAA), month (MM) and year of manufacture (YYYY). Other models: month (MM) and year of manufacture (YYYY).

4) SAFETY CHECK LIST. Check carefully before each use: webbings and stitchings do not present cuts, abrasions, burns or corrosion; the buckles don't present signs of wear, holes, corrosion or deformation. During each use, regularly check the good working conditions of the device comprising the correct placing of the other components included in the system; pay attention to humidity and ice conditions because they could jeopardize the resistance of the device. **Attention!** It is important to check regularly the buckles and/or the adjustment devices during the use. **Attention!** The performances of a device may decrease due to ageing or to a improper storage.

5) USER'S INSTRUCTIONS.

5.1 - Adjustment. Choose a harness with the suitable size (Fig. 2). Wear the harness so that the belt and the leg loops are positioned at the correct height (Fig. 7). Adjust the belt using the adjustment buckle(s) (Fig. 5), so that it fits perfectly to the body, without being too tight (Fig. 6.1). Adjust the leg loops using the adjustment buckles, if present, and the support elastics, so that one hand can pass between the leg loop and the user's leg (Fig. 6.2-6.3). **Attention!** Before use, it is necessary to carry out a hanging test in a safe environment, in order to ensure that the harness has the correct size, it owns the possibility of a suitable adjustment and an acceptable comfortability level for the intended use.

5.2 - SRS system (Size Regulation System). After wearing and adjusting the harness as indicated in paragraph 4.1 you can use the SRS system for an optimal adjustment of the size: • 7H130/7H145. Move the SRS buckle (4) towards the belay loop, so that the final part of the belt is stabilized (Fig. 8.1-8.2). Insert the exceeding webbing into the opposite strap retainers (Fig. 8.3). • 7H132. After adjusting the belt operating on the adjustment buckle (3) (Fig. 8.4-8.5), the belt might be not carried compared to the belay loop (Fig. 8.5). In order to optimise the positioning, slip the webbing of the belt inside the SRS buckle (Fig. 8.6).

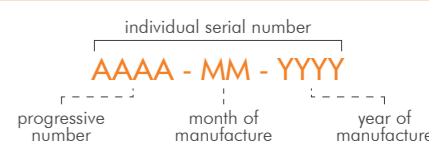
5.3 - Use. The harness must be only connected to the system through the attachment

ITALIANO

Le istruzioni d'uso di questo dispositivo sono costituite da un'istruzione generale e da una specifica ed entrambe devono essere lette attentamente prima dell'utilizzo. **Attenzione!** Questo foglio costituisce solo l'istruzione specifica.

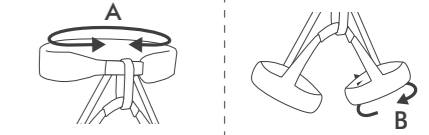
ISTRUZIONI SPECIFICHE EN 12277 - TIPO C. Questa nota contiene le informazioni necessarie per un utilizzo corretto delle imbracature per alpinismo, inclu-

A TRACEABILITY



2 SIZE CHART

REF No.	SIZE	A (cm)	B (cm)	Weight
Model: ON-SIGHT				
7H130A0	XS	65÷75	46÷50	270 g
7H145A0				265 g
7H130B0				285 g
7H145B0	S	70÷80	50÷54	280 g
7H130C0				300 g
7H145C0	M	75÷85	54÷58	295 g
7H130D0				315 g
7H145D0	L	80÷90	58÷62	310 g
7H130E0				325 g
7H145E0	XL	85÷95	62÷66	320 g
Model: ASCENT				
7H146G0	XXS	50÷65	34÷45	350 g
7H131AB				430 g
7H146AB	XS-S	65÷80	50÷60	410 g
7H131CD				450 g
7H146CD	M-L	75÷90	55÷65	430 g
7H131DE				480 g
7H146DE	L-XL	85÷100	60÷70	450 g
Model: WALL				
7H147AB	XS-S	65÷80	45÷60	335 g
7H147CD	M-L	75÷90	50÷65	355 g
7H147DE	L-XL	85÷100	55÷70	375 g
Model: ANTHEA (developed for woman)				
7H148AB	XS-S	60÷75	45÷60	335 g
7H148CD	M-L	70÷85	50÷65	355 g
7H148DE	L-XL	80÷95	55÷70	375 g
Model: EXPLORER				
7H132 BC	S-M	60÷80	50÷62	360 g
7H132 CD	M-L	75÷95	58÷70	375 g
Model: DISCOVERY				
7H139AF	UNI	60÷105	50÷80	350 g
Model: PRO-CANYON				
7H140AF	UNI	60÷105	50÷80	495 g



IST151-7H130CT Rev.1 12/15



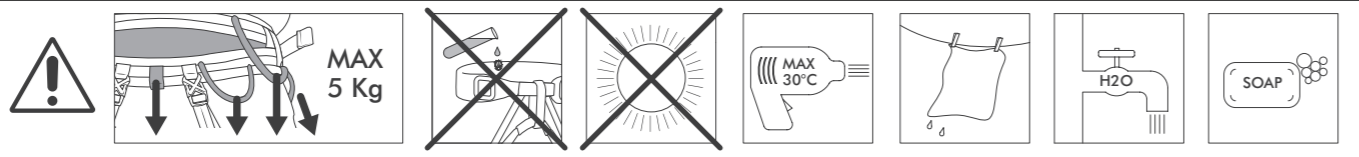
by Aludesign S.p.A. via Torchio 22
 I-24034 Ciano Basso BG ITALY
 Central fax: +39 035 78 35 95
 Central fax: +39 035 78 23 39
 www.climbingtechnology.com

89/686/CEE - Personal Protective Equipment against falls from a height.

1 MODELS

ON-SIGHT	ASCENT WALL / ANTHEA	EXPLORER
7H130 / 7H145	7H131 / 7H146 7H147 / 7H148	7H132
DISCOVERY	PRO-CANYON	CANYONING PROTECTION
7H139	7H140	7H141

15



PPE tested by: APAVE SUEUROPE SAS NOTIFIED BODY "0082" 8, rue Jean-Jacques Vermezzo Z.A.C. Saumathy-Séon CS 60193 - 13322 MARSEILLE CEDEX 16 FRANCE

PPE tested by: WVLU a.s. NOTIFIED BODY "1019" Píkarska 1337/7 716 07 Ostrava - Radvanice CZECH REPUBLIC

Notified Body responsible for the control of manufacturing: AFNOR CERTIFICATION NOTIFIED BODY "0333" 11, rue Francis de Pressensé 93571 La Plaine Saint-Denis Cedex, FRANCE

afaq ISO 9001 QUALITY ASSURANCE

